

# CDP-X555ES

## SERVICE MANUAL



(GOLD)

*US Model*  
*Canadian Model*  
*AEP Model*  
*UK Model*  
*E Model*  
*Australian Model*

### SPECIFICATIONS

#### Compact disc player

|                       |                          |
|-----------------------|--------------------------|
| Frequency response    | 2 Hz-20 kHz $\pm$ 0.3 dB |
| Signal to noise ratio | More than 117 dB         |
| Dynamic range         | More than 100 dB         |
| Harmonic distortion   | Less than 0.0017%        |
| Channel separation    | More than 110 dB         |

#### Outputs

|   |  |
|---|--|
| LINE OUT (FIXED)<br>(phone jacks)                   | Output level 2V (at 50 kilo $\Omega$ )<br>Load impedance over 10 kilo $\Omega$         |
| LINE OUT (VARIABLE)<br>(phone jacks)                | Output level max. 2V<br>(at 50 kilo $\Omega$ )<br>Load impedance over 50 kilo $\Omega$ |
| DIGITAL OUT (OPTICAL)<br>(optical output connector) | Wave length 660nm<br>Output level $-18$ dBm  |
| HEADPHONES<br>(stereo phone jack)                   | Output level max. 28 mW<br>Load impedance 32 $\Omega$                                  |

#### General

|                    |   |
|--------------------|---|
| Power requirements | US, CND model:<br>120V AC, 60Hz<br>UK, AUS model:<br>240V AC, 50/60Hz<br>AEP model:<br>220-230V AC 50/60Hz<br>E model:<br>110, 120, 220, 240V AC adjustable,<br>50/60Hz |
| Power consumption  | 27W   |
| Dimensions         | Approx. 470 $\times$ 125 $\times$ 375mm<br>(w/h/d)<br>(18 $\frac{5}{8}$ $\times$ 5 $\times$ 14 $\frac{7}{8}$ inches)<br>Including projecting parts and<br>controls      |

|                                    |   |
|------------------------------------|---|
| Model Name Using Similar Mechanism | CDP-X333ES                              |
| CD Mechanism Type                  | CDM11H-6C: (BLACK)<br>CDM11I-6C: (GOLD) |
| Optical Pick-Up Block Type         | BU-6C                                   |

Weight Approx. 12.8 kg. (27 lbs 74 oz), net

#### Remote commander RM-D991 (supplied)

|                       |  |
|-----------------------|--|
| Remote control system | Infrared control   |
| Power Requirements    | 3 V DC with two batteries size AA<br>(IEC designation R6)                                    |
| Dimensions            | 62 $\times$ 18 $\times$ 175 mm (w/h/d)<br>(2 $\frac{1}{2}$ $\times$ 23/32 $\times$ 7 inches) |
| Weight                | 130g (4.6 oz)<br>Including batteries   |

#### Supplied accessories

|  |
|--|
| Connecting cord (1)<br>(2 phono plugs $\leftrightarrow$ 2 phono plugs) |
| Remote commander (1)   |
| Size AA batteries (2)  |
| Screws (8)   |

Design and specifications subject to change without notice.

**COMPACT DISC PLAYER**  
**SONY®**



## SAFETY CHECK-OUT (US Model)

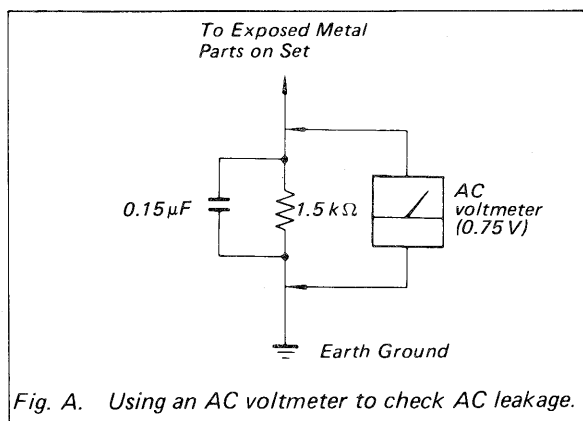
After correcting the original service problem, perform the following safety check before releasing the set to the customer:

Check the antenna terminals, metal trim, "metallized" knobs, screws, and all other exposed metal parts for AC leakage. Check leakage as described below.

### LEAKAGE TEST

The AC leakage from any exposed metal part to earth ground and from all exposed metal parts to any exposed metal part having a return to chassis, must not exceed 0.5 mA (500 microamperes). Leakage current can be measured by any one of three methods.

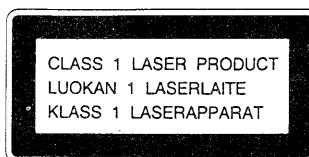
1. A commercial leakage tester, such as the Simpson 229 or RCA WT-540A. Follow the manufacturers' instructions to use these instruments.
2. A battery-operated AC milliammeter. The Data Precision 245 digital multimeter is suitable for this job.
3. Measuring the voltage drop across a resistor by means of a VOM or battery-operated AC voltmeter. The "limit" indication is 0.75 V, so analog meters must have an accurate low-voltage scale. The Simpson 250 and Sanwa SH-63Trd are examples of a passive VOM that is suitable. Nearly all battery operated digital multimeters that have a 2 V AC range are suitable. (See Fig. A)



### SAFETY-RELATED COMPONENT WARNING!!

COMPONENTS IDENTIFIED BY MARK OR DOTTED LINE WITH MARK ON THE SCHEMATIC DIAGRAMS AND IN THE PARTS LIST ARE CRITICAL TO SAFE OPERATION. REPLACE THESE COMPONENTS WITH SONY PARTS WHOSE PART NUMBERS APPEAR AS SHOWN IN THIS MANUAL OR IN SUPPLEMENTS PUBLISHED BY SONY.

For the United Kingdom and European countries



This Compact Disc player is classified as a CLASS 1 LASER product. The CLASS 1 LASER PRODUCT label is located on the rear exterior.

### NOTES ON HANDLING THE OPTICAL PICK-UP BLOCK OR BASE UNIT

The laser diode in the optical pick-up block may suffer electrostatic breakdown because of the potential difference generated by the charged electrostatic load, etc. on clothing and the human body.

During repair, pay attention to electrostatic breakdown and also use the procedure in the printed matter which is included in the repair parts.

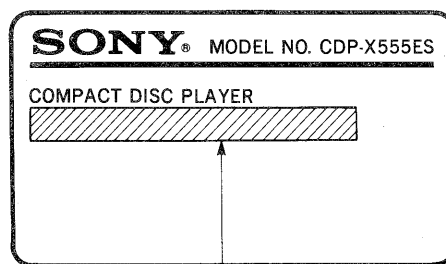
The flexible board is easily damaged and should be handled with care.

### NOTES ON LASER DIODE EMISSION CHECK

The laser beam on this model is concentrated so as to be focused on the disc reflective surface by the objective lens in the optical pick-up block. Therefore, when checking the laser diode emission, observe from more than 30cm away from the objective lens.

### MODEL IDENTIFICATION

—Model Number Label—



US, CND model: AC: 120V 60Hz 27W  
 AEP model: AC: 220-230V~50/60Hz  
 UK, AUS model: AC: 240V~50/60Hz  
 E model: AC: 110, 120, 220, 240V~50/60Hz 27W

CND : Canadian model  
 AUS : Australian model

### ATTENTION AU COMPOSANT AYANT RAPPORT À LA SÉCURITÉ!

LES COMPOSANTS IDENTIFIÉS PAR UNE MARQUE SUR LES DIAGRAMMES SCHÉMATIQUES ET LA LISTE DES PIÈCES SONT CRITIQUES POUR LA SÉCURITÉ DE FONCTIONNEMENT. NE REMPLACER CES COMPOSANTS QUE PAR DES PIÈCES SONY DONT LES NUMÉROS SONT DONNÉS DANS CE MANUEL OU DANS LES SUPPLÉMENTS PUBLIÉS PAR SONY.

## PROTECTION OF EYES FROM LASER BEAM DURING SERVICING

This set employs a laser. Therefore, be sure to follow carefully the instructions below when servicing.

### CAUTION

Use of controls or adjustments or performance of procedures other than those specified herein may result in hazardous radiation exposure.

#### 1. Laser Diode Properties

- Material: GaAlAs
- Wavelength: 780 nm
- Emission Duration: continuous
- Laser Output Power: less than 44.6  $\mu$ W\*
  - \* This output is the value measured at a distance of 200 mm from the objective lens surface on the Optical Pick-up Block.

2. During service, do not take the Optical Pick-up Block apart, and do not adjust the APC circuit. If there is a breakdown in the APC circuit (including laser diode), replace the entire Optical Pick-up Block (including APC board).

## BESKYTTELSE AF ØJNE MOD LASERSTRÅLING UNDER SERVICE

I dette apparat anvendes laserlys. Derfor skal nedenstående instruktioner nøje følges under service.

Følg iverigt instruktionerne i servicemanualen.

### ADVARSEL!!

Under service må øjnene ikke komme nær objektiv-linsen på den optiske pick-up enhed. I tilfælde af at det er nødvendigt at kontrollere udsendelsen af laserlys, skal det ske i en afstand af mere end 25 cm fra den optiske pick-up.

#### 1. Laser-dioe data

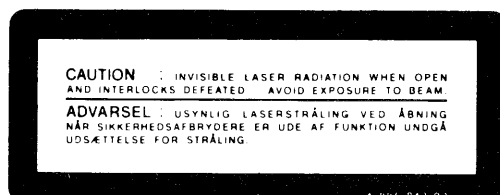
- Materiale: GaAlAs
- Bølgelængde: 780 nm
- Udstråling: Kontinuerlig
- Laseroutput: Max. 0,4 mW\*
  - \* Målt i 1,6 mm afstand fra overfladen af objektiv-linsen på den optiske pick-up enhed.
- Klassifikation: Klasse IIIb.

2. Adskil aldrig den optiske pick-up enhed under service, og juster ikke APC kredsløbet (Automatic Power Control). Hvis APC kredsløbet (incl. laserdioden) bryder ned, skal hele den optiske pick-up enhed (incl. APC printkortet) udskiftes.

## LASER ADVARSEL MÆRKNING

Følgende mærkning findes indvendig i apparatet:

#### 1. Advarsel Mærkning



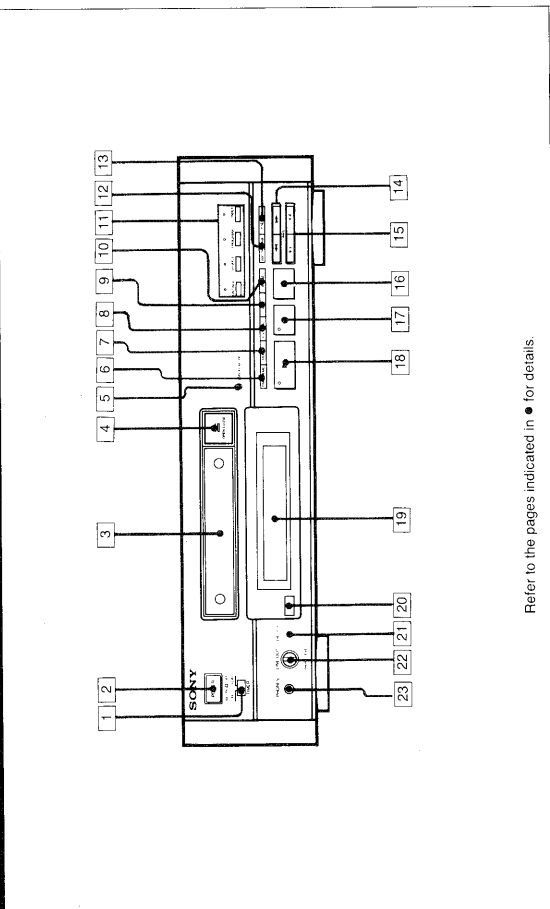
**VAROITUS:** Laite sisältää, laserdiodin, joka lähettää (näkyvätöntä) silmille vaarallista lasersäteilyä.

# SECTION 1 GENERAL

This section is extracted from instruction manual.

## Location of Controls

### Front Panel

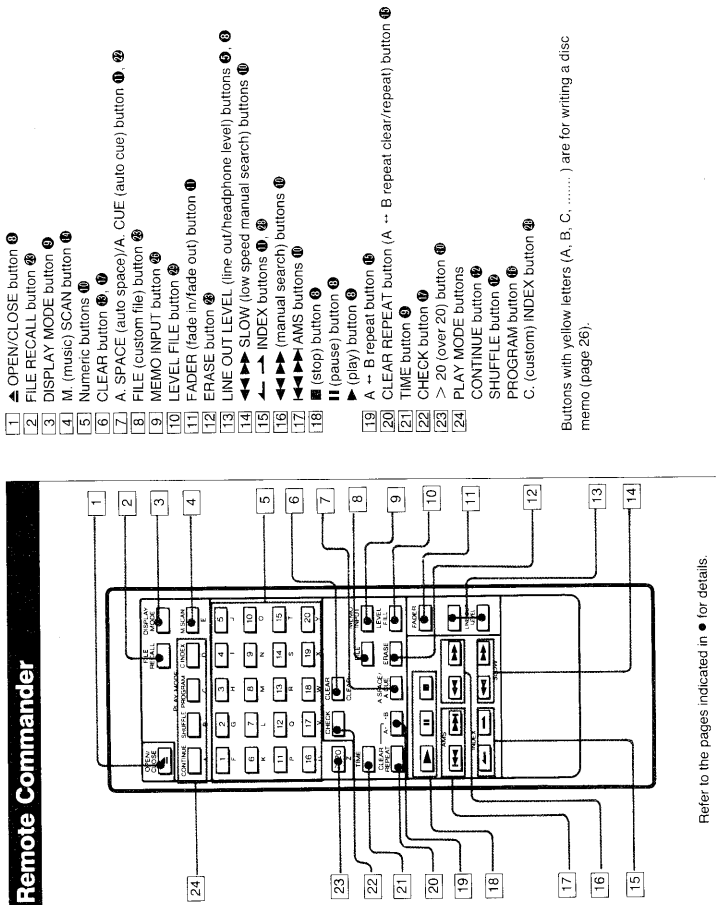


Refer to the pages indicated in ● for details.

- 1. TIMER switch ●
- 2. POWER switch ●
- 3. Disc tray ●
- 4. OPEN/CLOSE button ●
- 5. DISPLAY MODE button ●
- 6. TIME/MEMO button ●
- 7. REPEAT button ●
- 8. FILE RECALL button ●
- 9. FILE (custom file) button ●
- 10. ERASE (memory erase) button ●
- 11. PLAY MODE buttons ●
- 12. EDIT/TIME FADE button ●
- 13. P. (peak) SEARCH button ●
- 14. (manual search) buttons ●
- 15. AMS\* buttons ●
- 16. (stop) button ●
- 17. (pause) button ●
- 18. (play) button ●
- 19. Display window ●
- 20. Remote sensor ●
- 21. LEVEL FILE button ●
- 22. LINE OUT/PHONE LEVEL control ●
- 23. PHONES jack ●

● AMS is the abbreviation of Automatic Music Sensor.

### Remote Commander

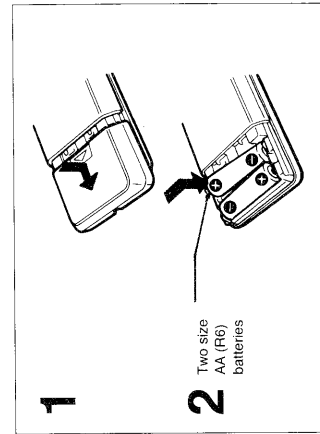


Refer to the pages indicated in ● for details.

- 1. OPEN/CLOSE button ●
- 2. FILE RECALL button ●
- 3. DISPLAY MODE button ●
- 4. M. (music) SCAN button ●
- 5. Numeric buttons ●
- 6. CLEAR button ●
- 7. A. SPACE (auto space)/A. CUE (auto cue) button ●
- 8. FILE (custom file) button ●
- 9. MEMO INPUT button ●
- 10. LEVEL FILE button ●
- 11. ERASE button ●
- 12. FADER (fade in/fade out) button ●
- 13. LINE OUT LEVEL (line out/headphone level) buttons ●
- 14. SLOW (low speed manual search) buttons ●
- 15. (manual search) buttons ●
- 16. AMS buttons ●
- 17. (stop) button ●
- 18. (pause) button ●
- 19. (play) button ●
- 20. A → B repeat button ●
- 21. CLEAR REPEAT button (A → B repeat clear/repeat) button ●
- 22. TIME button ●
- 23. CHECK button ●
- 24. PLAY MODE buttons ●
- CONTINUE button ●
- SHUFFLE button ●
- PROGRAM button ●
- C. (custom) INDEX button ●

Buttons with yellow letters (A, B, C, ...) are for writing a disc memo (page 26).

## Installing Batteries in the Remote Commander



- On battery life**
- About half a year of normal operation can be expected when using the Sony SUM-3(NS) batteries.
  - When the batteries are run down, the remote commander will not operate the unit. In this case, replace both batteries with new ones.

**Notes on the remote commander and remote control operation**

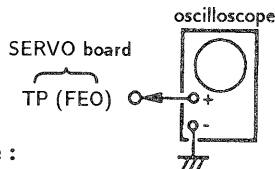
- Keep the commander away from extremely hot or humid places.
- Avoid dropping any foreign objects into the commander casing, particularly when replacing the batteries.
- Avoid exposing the remote sensor to direct sunlight or lighting apparatus. Such exposure can cause a malfunction.
- To avoid damage caused by battery leakage and corrosion, remove the batteries when the commander will not be used for a long time.

## SECTION 2 ELECTRICAL ADJUSTMENTS

**Note :**

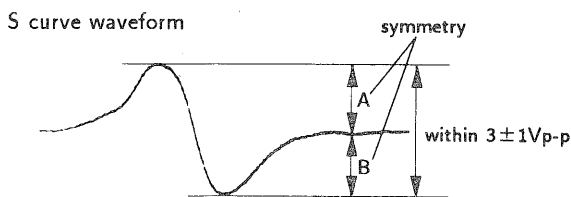
1. CD Block basically constructed to operate without adjustment. Therefore, check each item in order given.
2. Use YEDS-18 disc (3-702-101-01) unless otherwise indicated.
3. Use the oscilloscope with more than 10MΩ impedance.
4. Clean an object lens by an applicator with neutral detergent when the signal level is low than specified value with the following checks.

### S Curve Check



**Procedure :**

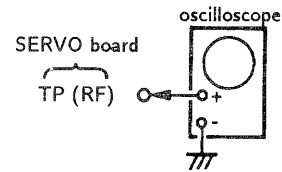
1. Connect oscilloscope to test point TP (FEO) on SERVO board.
2. Connect between test point TP (FES) to ground with lead wire.
3. Turned Power switch on and actuate the focus serch. (actuate the focus serch when disc table is moving in and out.)
4. Check the oscilloscope waveform (S curve) is symmetrical between A and B. And confirm peak to peak level within  $3 \pm 1V_{p-p}$ .



5. After check, remove the lead wire connected in step 2.

- Note :**
- Try to measure several times to make sure that the ratio of A : B or B : A is more than 10 : 7.
  - Take sweep time as long as possible and light up the brightness to obtain best waveform.

### RF Level Check

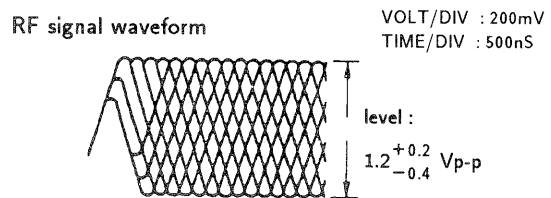


**Procedure :**

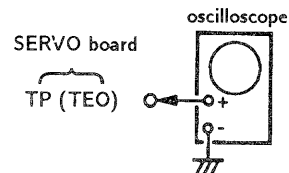
1. Connect oscilloscope to test point TP (RF) on SERVO board.
2. Turn Power switch on.
3. Put disc (YEDS-18) in and playback.
4. Confirm that oscilloscope waveform is clear and check RF signal level is correct or not.

**Note :**

Clear RF signal waveform means that the shape “◇” can be clearly distinguished at the center of the waveform.

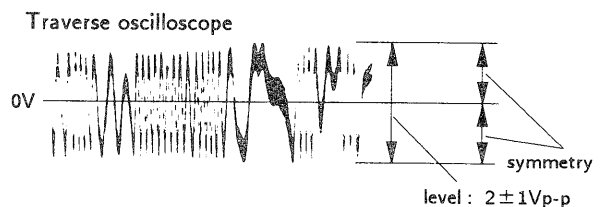


### E-F Balance Check



**Procedure :**

1. Connect test point TP (ADJ) and TP (TES) to ground with lead wire.
2. Connect oscilloscope to test point TP (TEO) on SERVO board.
3. Turn Power switch on.
4. Put disc (YEDS-18) in and playback.
5. Confirm that the oscilloscope waveform is symmetrical on the top and bottom in relation to 0V, and check this level.

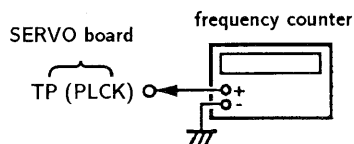


6. Remove the lead wire connected in step 1.

**RF PLL Free-run Frequency Check**

**Procedure :**

1. Connect frequency counter to test point (PLCK) on SERVO board.



2. Turn Power switch on.
3. Confirm that reading on frequency counter is
4. 3218MHz.

**Focus/Tracking Gain**

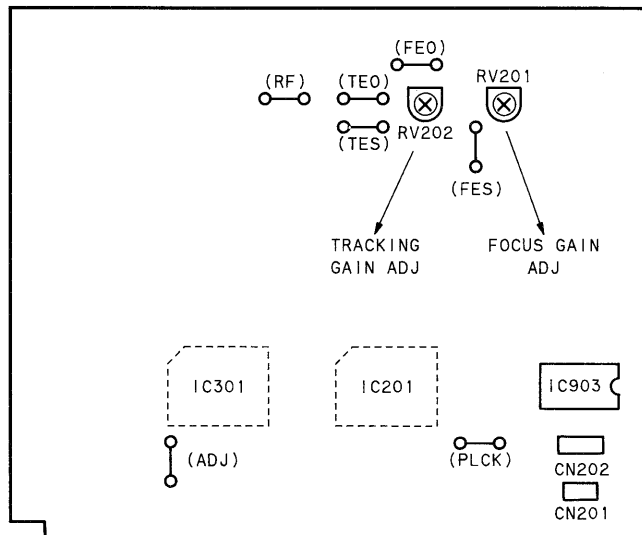
This gain has a margin, so even if it is slightly off. There is no problem.

Therefore, do not perform, this adjustment.

Please note that it should be fixed to mechanical center position when you moved and do not know original position.

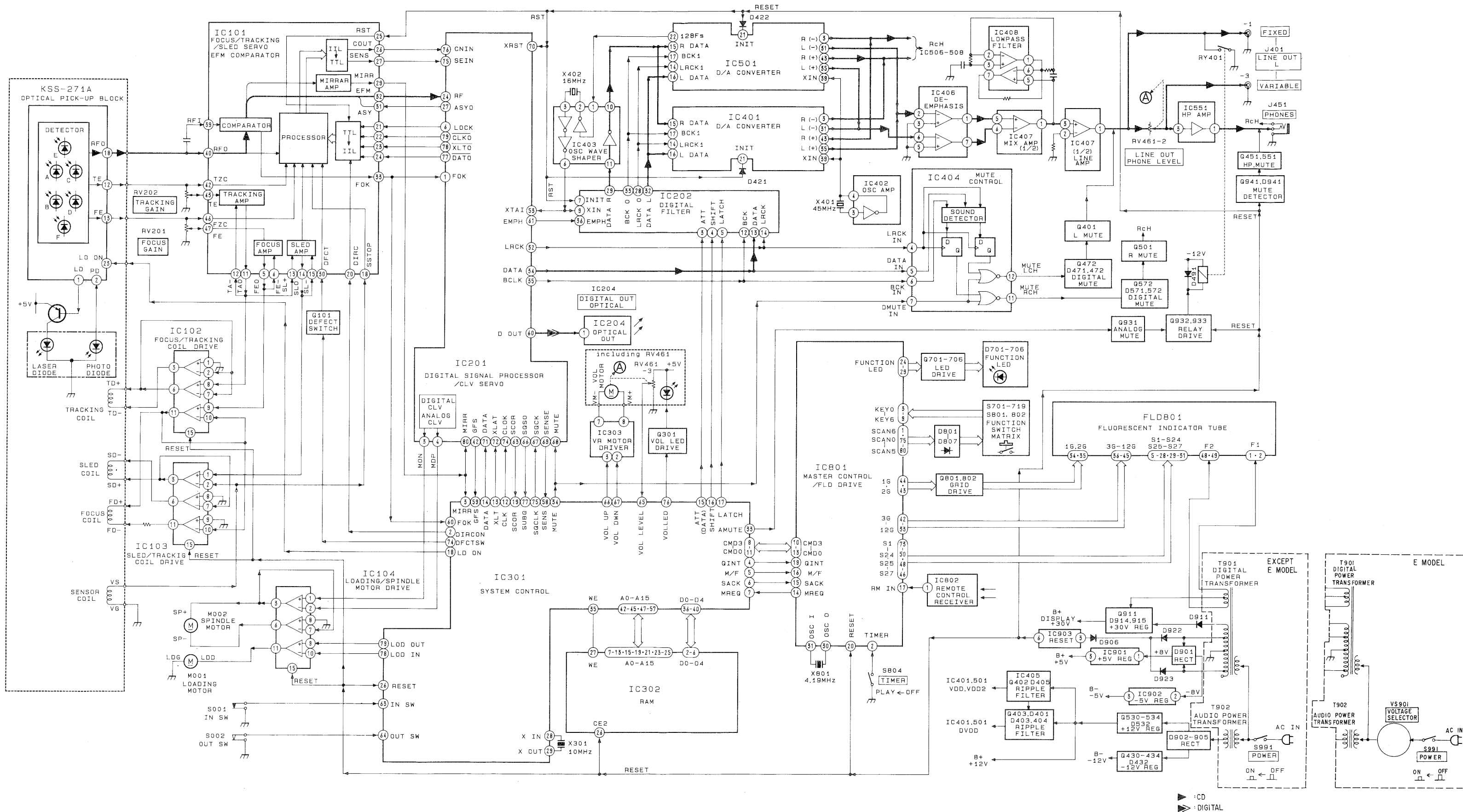
**Adjustment Location :**

**[SERVO BOARD] (COMPONENT SIDE)**

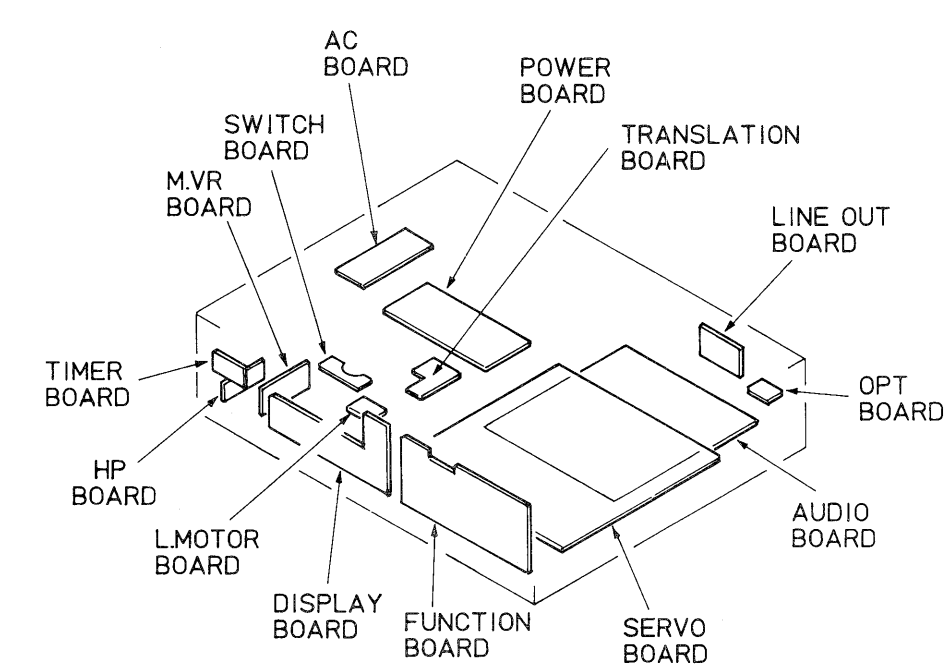


### SECTION 3 DIAGRAMS

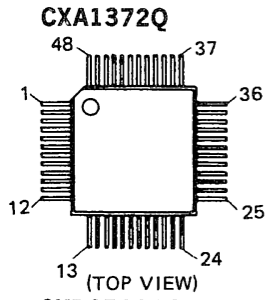
3-1. BLOCK DIAGRAM



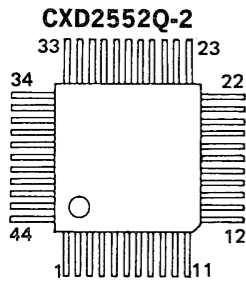
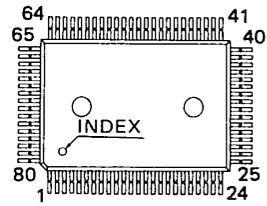
3-2. CIRCUIT BORDS LOCATION



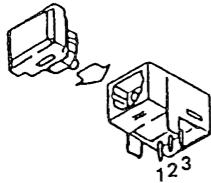
3-3. SEMICONDUCTOR LEAD LAYOUTS



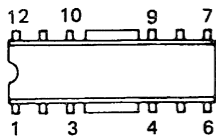
**CXD2500AQ**  
**MSC62408-015GS-V1K**  
**M37450M8-376FP**



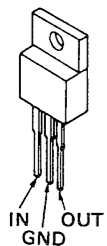
**GPIF32T**



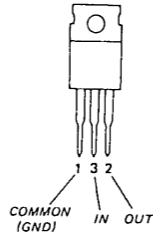
**LA6523**



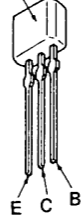
**M5F7805L**



**M5F7905L**



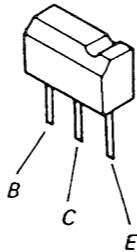
**BN1L3Z-K**  
 letter side



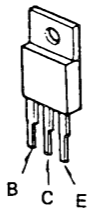
**DTA114ES**  
**DTC114ES**  
**DTC144ES**



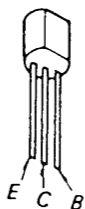
**DTC114EF**



**2SA985A-P**  
**2SC2275A-P**  
**2SC4431-K**



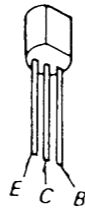
**2SA1371-E**



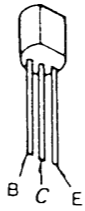
**2SC1941-KA**  
**2SD774-34**



**2SC2878-B**  
**2SC3622A-K**



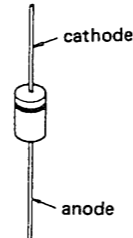
**2SC3246-JK**



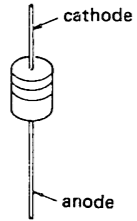
**2SK241-GR**



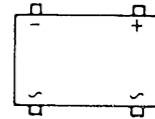
**EQB01-08Q**  
**21DQ05**  
**31DF2-FA**



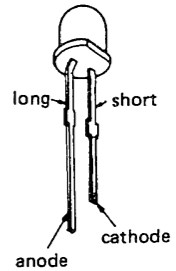
**HZS7B2L**  
**HZS7B3L**  
**HZS36-2L**  
**RD4.7ES-B2**  
**RD4.7JS-B2**  
**RD5.1JS-B2**  
**1SS120**  
**1SS202-1**  
**11ES2**



**RDF02M**



**BR3371X**  
**MAY3371X-M-177**  
**MBG3371X-177**  
**MPG3371X-150**  
**MPY3371X-177**





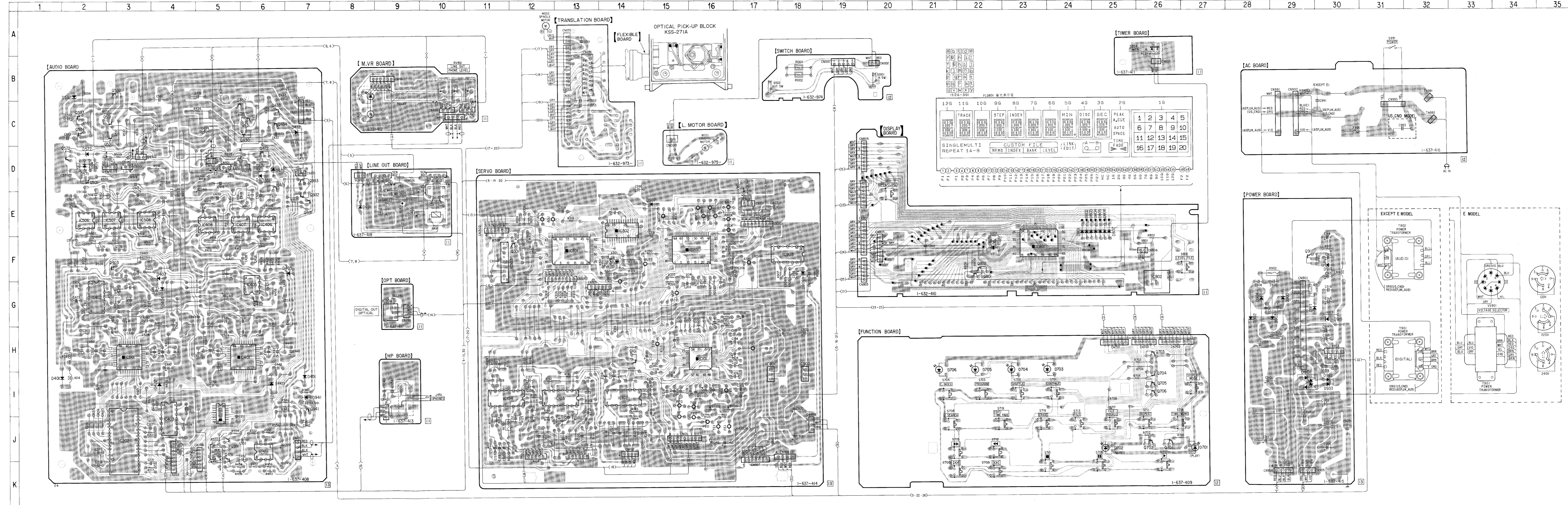
● Semiconductor Location

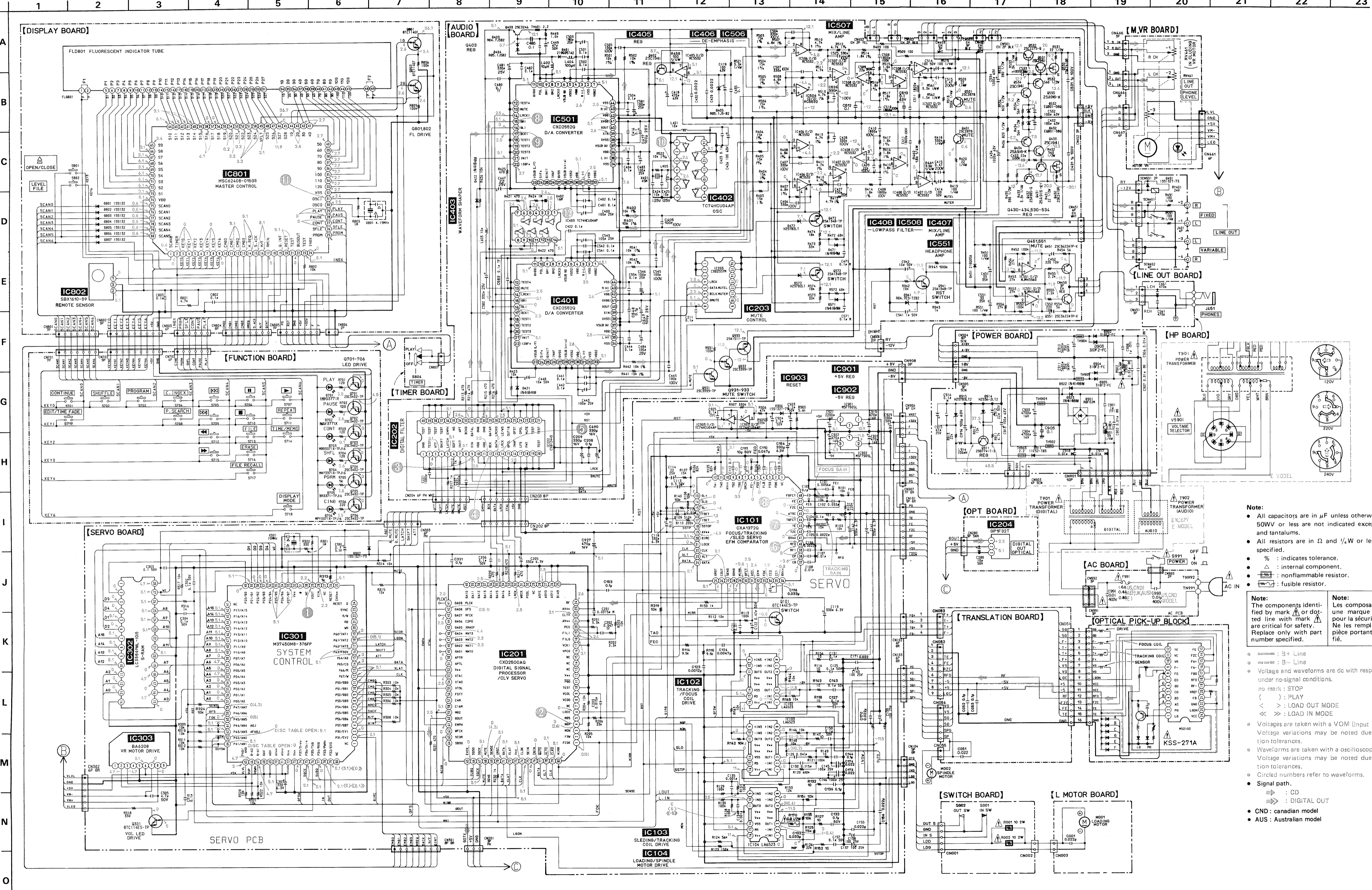
| Ref. No. | Location | Ref. No. | Location |
|----------|----------|----------|----------|
| D401     | I-2      | IC802    | G-26     |
| D403     | G-4      | IC901    | I-17     |
| D404     | G-4      | IC902    | I-18     |
| D405     | G-7      | IC903    | F-18     |
| D421     | I-6      |          |          |
| D422     | I-4      | Q101     | H-14     |
| D432     | C-7      | Q301     | F-12     |
| D451     | I-6      | Q401     | E-6      |
| D471     | D-6      | Q402     | G-6      |
| D472     | D-6      | Q403     | F-3      |
| D491     | E-8      | Q430     | C-6      |
| D532     | C-2      | Q431     | C-6      |
| D571     | D-2      | Q432     | C-6      |
| D572     | D-2      | Q433     | C-6      |
| D701     | K-27     | Q434     | C-6      |
| D702     | K-25     | Q451     | K-5      |
| D703     | I-24     | Q472     | D-6      |
| D704     | I-23     | Q501     | D-2      |
| D705     | I-22     | Q530     | D-3      |
| D706     | I-21     | Q531     | C-3      |
| D801     | F-24     | Q532     | C-3      |
| D802     | F-25     | Q533     | C-2      |
| D803     | F-25     | Q534     | C-2      |
| D804     | F-25     | Q551     | J-5      |
| D805     | F-25     | Q572     | D-2      |
| D806     | F-25     | Q701     | J-26     |
| D807     | F-25     | Q702     | J-26     |
| D901     | I-29     | Q703     | H-26     |
| D902     | H-28     | Q704     | I-26     |
| D903     | H-29     | Q705     | I-26     |
| D904     | G-28     | Q706     | I-26     |
| D905     | G-29     | Q801     | G-22     |
| D906     | G-18     | Q802     | G-22     |
| D907     | E-15     | Q911     | F-30     |
| D911     | G-30     | Q931     | E-7      |
| D914     | G-30     | Q932     | E-7      |
| D915     | H-30     | Q933     | E-7      |
| D922     | I-30     | Q941     | J-7      |
| D923     | I-30     |          |          |
| D941     | I-7      |          |          |
| IC101    | H-16     |          |          |
| IC102    | I-14     |          |          |
| IC103    | I-13     |          |          |
| IC104    | I-12     |          |          |
| IC201    | F-16     |          |          |
| IC202    | J-3      |          |          |
| IC203    | J-5      |          |          |
| IC204    | G-9      |          |          |
| IC301    | F-13     |          |          |
| IC302    | F-14     |          |          |
| IC303    | F-12     |          |          |
| IC401    | H-6      |          |          |
| IC402    | G-2      |          |          |
| IC403    | J-4      |          |          |
| IC405    | G-6      |          |          |
| IC406    | E-6      |          |          |
| IC407    | E-6      |          |          |
| IC408    | E-5      |          |          |
| IC501    | H-3      |          |          |
| IC506    | E-2      |          |          |
| IC507    | E-3      |          |          |
| IC508    | E-4      |          |          |
| IC551    | J-6      |          |          |
| IC801    | F-23     |          |          |

Note:

- : parts extracted from the component side.
- : parts extracted from the conductor side.
- : parts mounted on the conductor side.
- : Through hole.
- : Pattern on the side which is seen.
- : Pattern of the rear side.
- CND : canadian model
- AUS : Australian model

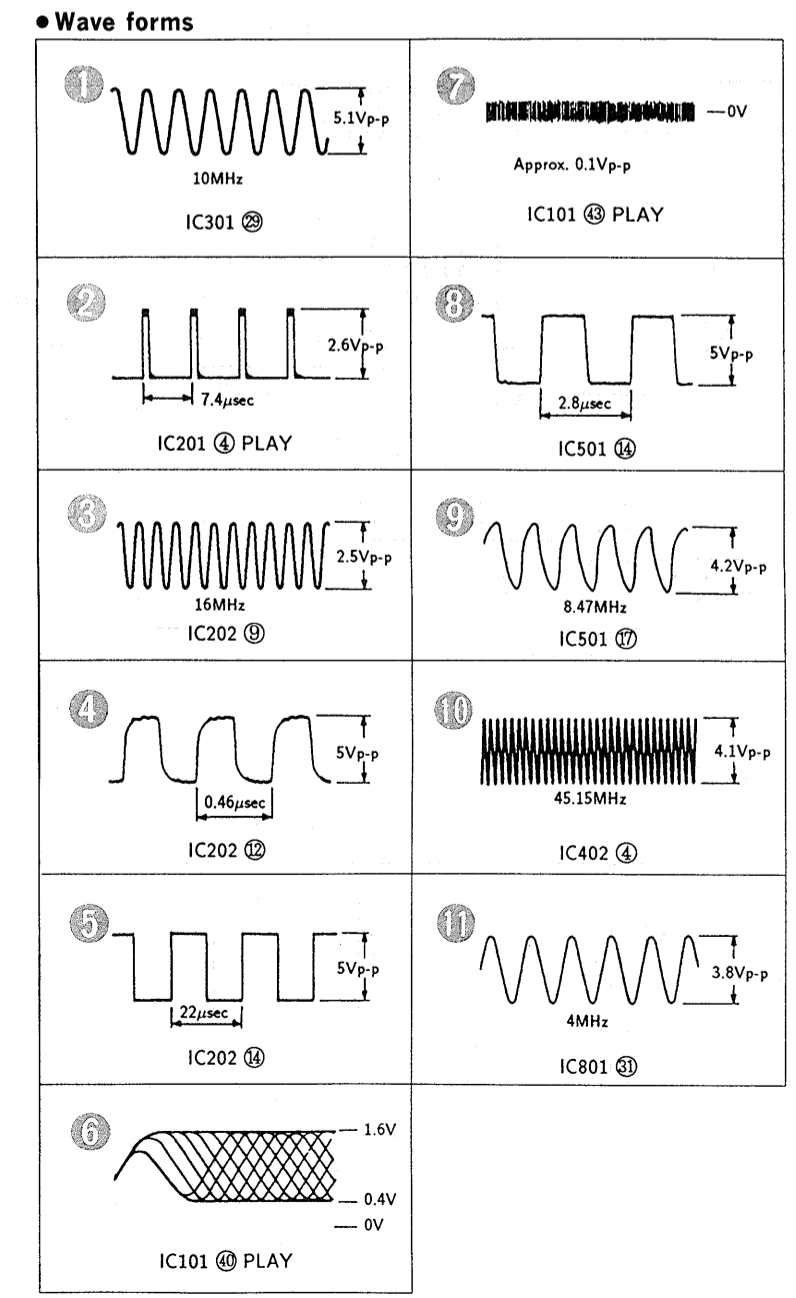
3-4. PRINTED WIRING BOARDS ● Refer to page 10 for Semiconductor Lead Layouts.





Indicator tube terminal

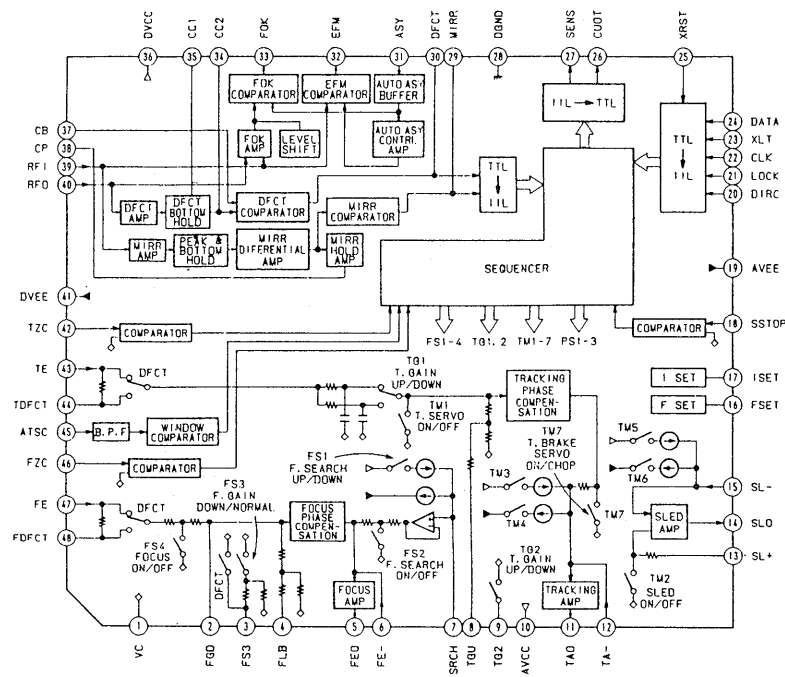
|     | 12G | 11G   | 10G | 9G   | 8G    | 7G | 6G | 5G  | 4G   | 3G  | REPEAT      | 1G |
|-----|-----|-------|-----|------|-------|----|----|-----|------|-----|-------------|----|
| P1  | a   | a     | a   | a    | a     | a  | a  | a   | a    | a   | REPEAT      | 1  |
| P2  | b   | b     | b   | b    | b     | b  | b  | b   | b    | b   | 1           | 2  |
| P3  | c   | c     | c   | c    | c     | c  | c  | c   | c    | c   | A           | 3  |
| P4  | d   | d     | d   | d    | d     | d  | d  | d   | d    | d   | B           | 4  |
| P5  | e   | e     | e   | e    | e     | e  | e  | e   | e    | e   | A.C.U.E     | 5  |
| P6  | f   | f     | f   | f    | f     | f  | f  | f   | f    | f   | AUTO SPACE  | 6  |
| P7  | g   | g     | g   | g    | g     | g  | g  | g   | g    | g   | SINGLE      | 7  |
| P8  | h   | h     | h   | h    | h     | h  | h  | h   | h    | h   | MULTI       | 8  |
| P9  | i   | i     | i   | i    | i     | i  | i  | i   | i    | i   | CUSTOM FILE | 9  |
| P10 | j   | j     | j   | j    | j     | j  | j  | j   | j    | j   | MEMO        | 10 |
| P11 | k   | k     | k   | k    | k     | k  | k  | k   | k    | k   | INDEX       | 11 |
| P12 | l   | l     | l   | l    | l     | l  | l  | l   | l    | l   | BANK        | 12 |
| P13 | m   | m     | m   | m    | m     | m  | m  | m   | m    | m   | LEVEL       | 13 |
| P14 | n   | n     | n   | n    | n     | n  | n  | n   | n    | n   | [LINK]      | 14 |
| P15 | o   | o     | o   | o    | o     | o  | o  | o   | o    | o   | EDIT        | 15 |
| P16 | p   | p     | p   | p    | p     | p  | p  | p   | p    | p   |             | 16 |
| P17 | q   | q     | q   | q    | q     | q  | q  | q   | q    | q   | A           | 17 |
| P18 | r   | r     | r   | r    | r     | r  | r  | r   | r    | r   | B           | 18 |
| P19 | s   | s     | s   | s    | s     | s  | s  | s   | s    | s   | [O.O]       | 19 |
| P20 | t   | t     | t   | t    | t     | t  | t  | t   | t    | t   | TIME        | 20 |
| P21 | u   | u     | u   | u    | u     | u  | u  | u   | u    | u   | FADE        | -  |
| P22 | v   | v     | v   | v    | v     | v  | v  | v   | v    | v   |             | -  |
| P23 | w   | w     | w   | w    | w     | w  | w  | w   | w    | w   |             | -  |
| P24 | x   | x     | x   | x    | x     | x  | x  | x   | x    | x   |             | -  |
| P25 | y   | y     | y   | y    | y     | y  | y  | y   | y    | y   |             | -  |
| P26 | -   | TRACK | -   | STEP | INDEX | -  | -  | MIN | DISC | SEC | PEAK        |    |
| P27 | -   | -     | -   | -    | -     | -  | -  | O   | -    | -   | -           |    |



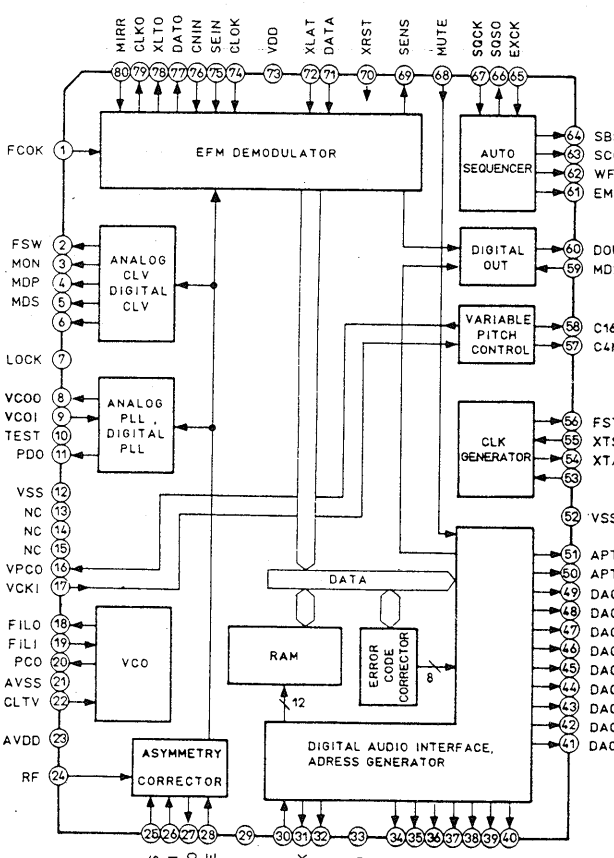
- Note:
- All capacitors are in  $\mu\text{F}$  unless otherwise noted.  $\text{pF}$ :  $\mu\text{F}$  50WV or less are not indicated except for electrolytics and tantalums.
  - All resistors are in  $\Omega$  and  $\frac{1}{2}\text{W}$  or less unless otherwise specified.
  - % : indicates tolerance.
  - $\square$  : internal component.
  - $\square$  : nonflammable resistor.
  - $\square$  : fusible resistor.
- Note:
- The components identified by mark  $\Delta$  or dotted line with mark  $\Delta$  are critical for safety. Replace only with part number specified.
- Note:
- Les composants identifiés par une marque  $\Delta$  sont critiques pour la sécurité. Ne les remplacer que par une pièce portant le numéro spécifié.
- $\square$  : B+ Line
  - $\square$  : B- Line
  - Voltage and waveforms are dc with respect to ground under no-signal conditions.
  - no mark : STOP
  - ( ) : PLAY
  - < > : LOAD OUT MODE
  - << >> : LOAD IN MODE
  - Voltages are taken with a VOM (input Impedance 10M $\Omega$ ). Voltage variations may be noted due to normal production tolerances.
  - Waveforms are taken with a oscilloscope. Voltage variations may be noted due to normal production tolerances.
  - Circled numbers refer to waveforms.
  - Signal path.
  - $\Rightarrow$  : CD
  - $\Rightarrow$  : DIGITAL OUT
  - $\square$  : canadian model
  - $\square$  : AUS : Australian model

3-6. IC BLOCK DIAGRAMS

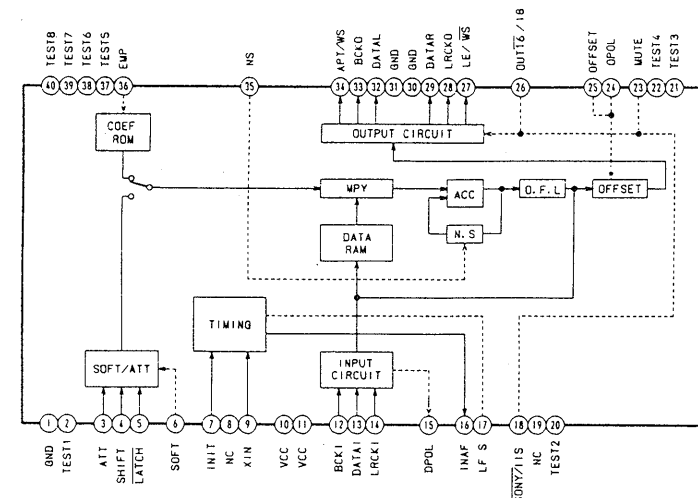
IC101 CXA1372Q



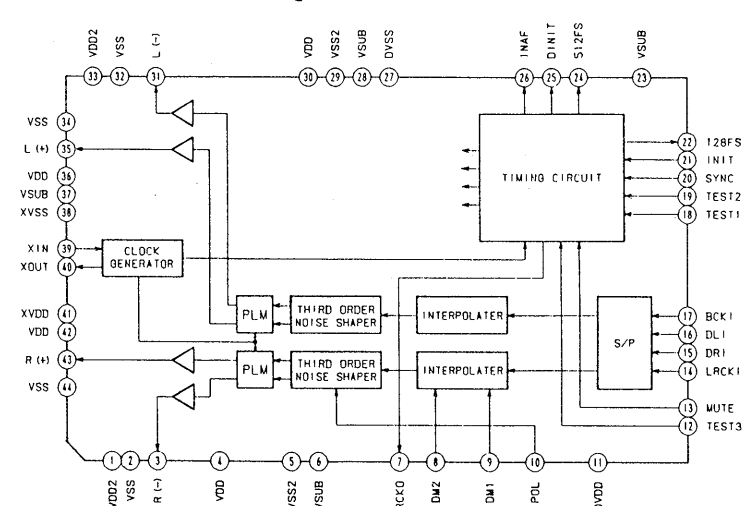
IC201 CXD2500AQ



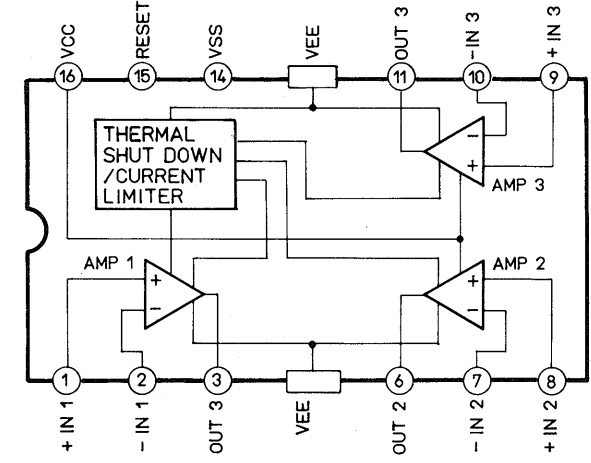
IC202 CXD1244S



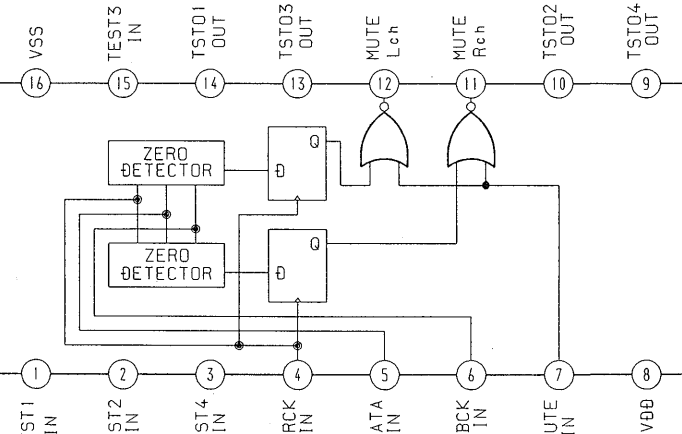
IC401, 501 CXD2552Q-2



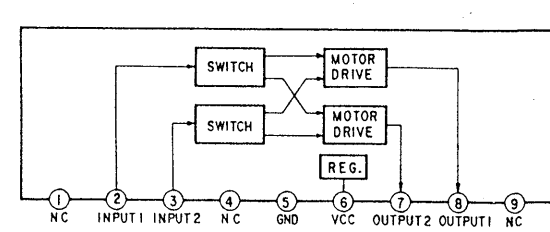
IC102, 103, 104 LA6253



IC203 CXD2557M



IC303 BA6208

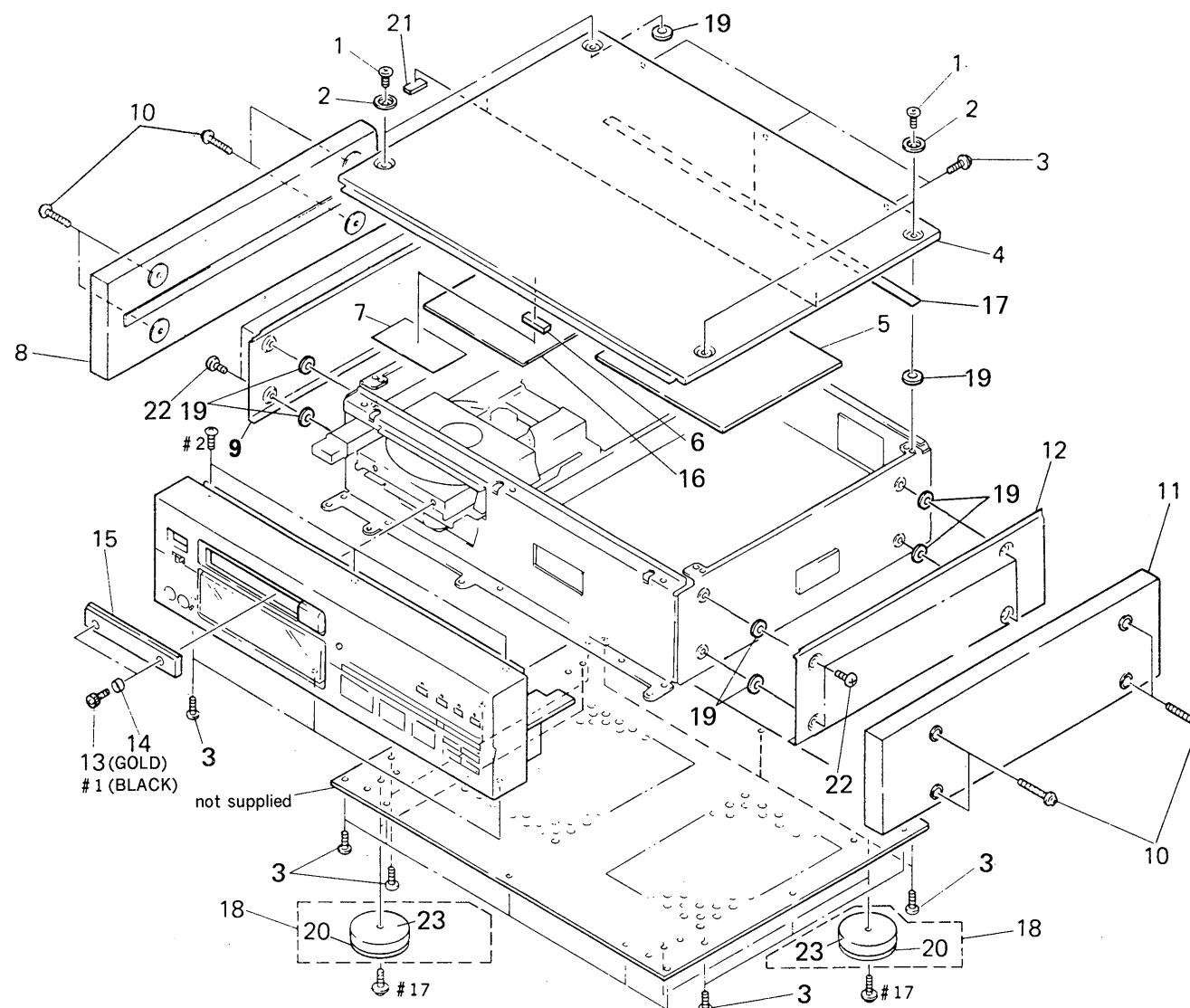


SECTION 4 EXPLODED VIEWS

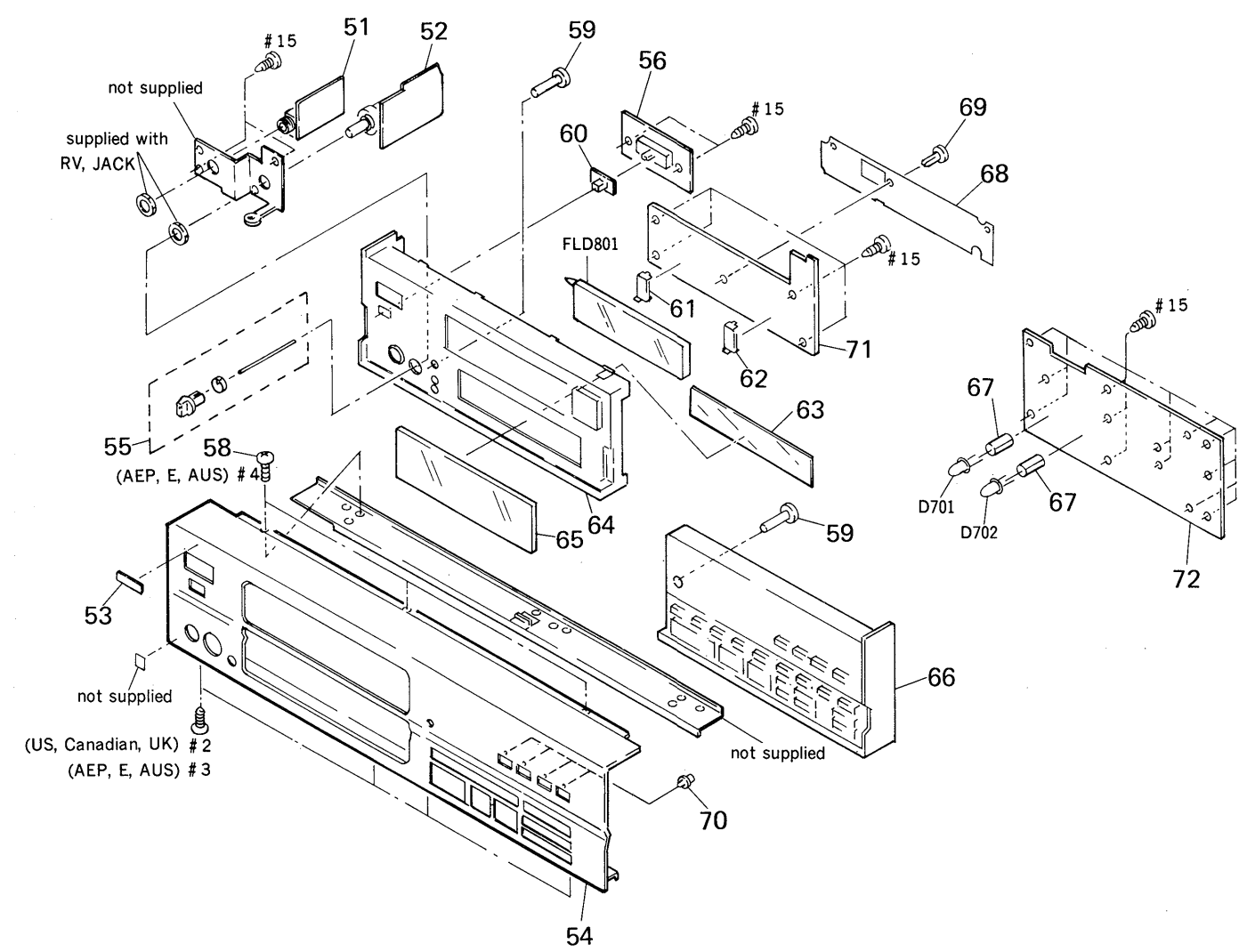
NOTE:

- The mechanical parts with no reference number in the exploded views are not supplied.
- Items marked "\*" are not stocked since they are seldom required for routine service. Some delay should be anticipated when ordering these items.
- XX, -X mean standardized parts, so they may have some differences from the original one.
- Color Indication of Appearance Parts Example: KNOB, BALANCE (WHITE)...(RED)
- CND: canadian model
- AUS: Australian model
- Hardware(# mark) list is given in the last of this parts list.
- The components identified by mark  $\Delta$  or dotted line with mark  $\Delta$  are critical for safety. Replace only with part number specified.
- Les composants identifiés par une marque  $\Delta$  sont critiques pour la sécurité. Ne les remplacer que par une pièce portant le numéro spécifié.

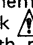

4-1. CABINET

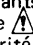


4-2. FRONT PANEL

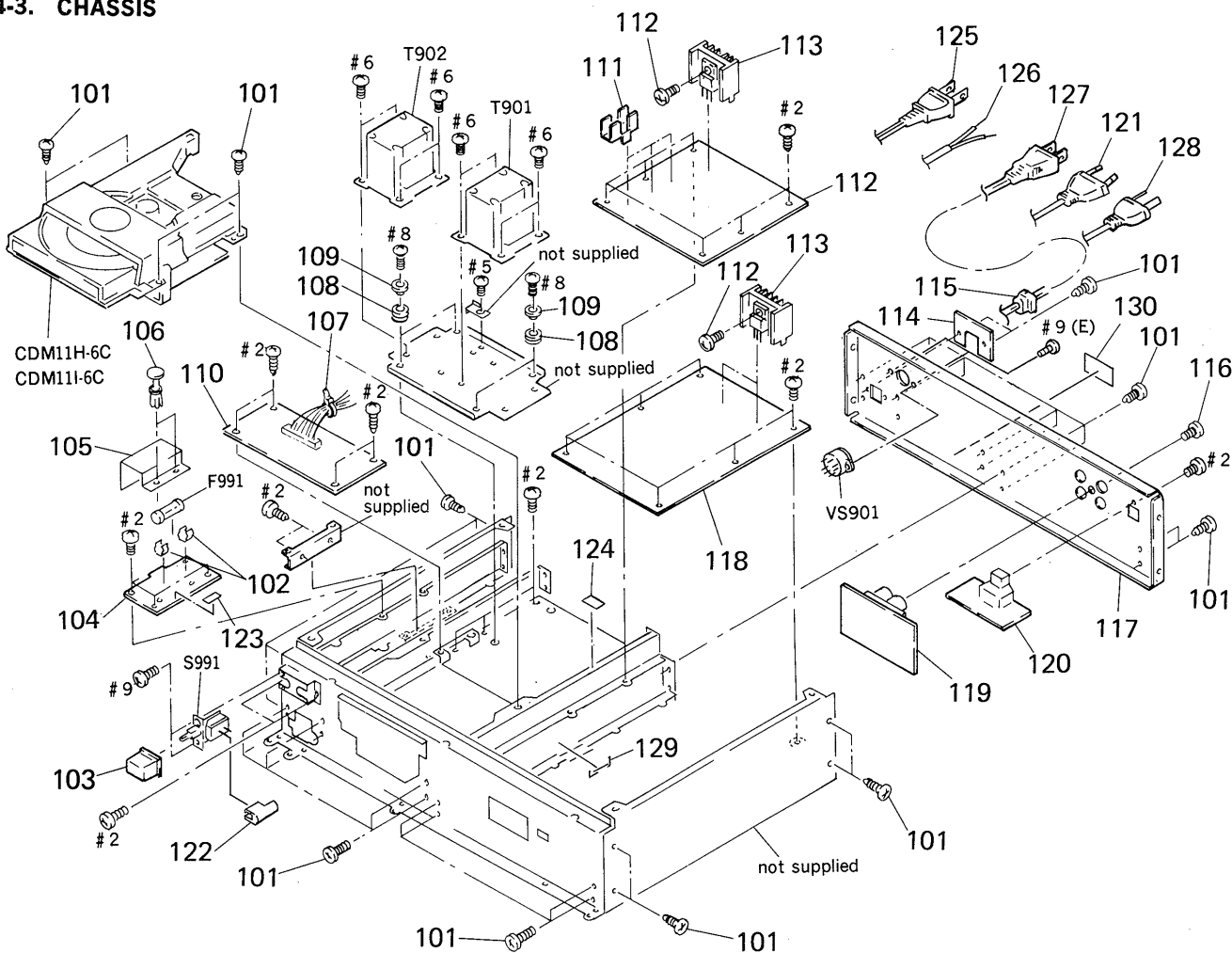



| Ref. No. | Part No.       | Description                            | Remark | Ref. No. | Part No.       | Description                      | Remark | Ref. No. | Part No.       | Description                        | Remark | Ref. No. | Part No.       | Description                   | Remark |
|----------|----------------|--|--------|----------|----------------|----------------------------------|--------|----------|----------------|------------------------------------|--------|----------|----------------|-------------------------------|--------|
| 1        | 4-924-242-11   | SCREW (M3X6), FLAT HEAD (BLACK)        |        | 12       | 4-925-369-11   | CASE (RIGHT) (BLACK)             |        | 51       | * 1-637-413-11 | HP BOARD                           |        | 63       | 4-941-651-01   | FILTER                        |        |
| 1        | 4-924-242-01   | SCREW (M3X6), FLAT HEAD (GOLD)         |        | 12       | 4-925-369-21   | CASE (RIGHT) (GOLD)              |        | 52       | * 1-637-412-11 | M. VR BOARD                        |        | 64       | X-4941-208-1   | PANEL (BASE) (L) ASSY (BLACK) |        |
| 2        | 4-928-025-11   | ESCUTCHEON (TOP PLATE) (BLACK)         |        | 13       | 4-942-447-01   | SCREW, ORNAMENTAL (2.6X4) (GOLD) |        | 53       | 4-908-848-01   | EMBLEM, SONY (BLACK)               |        | 64       | X-4941-676-1   | PANEL (BASE) (L) ASSY (GOLD)  |        |
| 2        | 4-928-025-41   | ESCUTCHEON (TOP PLATE) (GOLD)          |        | 14       | 4-884-635-00   | BASE, ORNAMENTAL (BLACK)         |        | 53       | 4-908-848-21   | EMBLEM, SONY (GOLD)                |        | 65       | 4-941-650-01   | PLATE, INDICATION (BLACK)     |        |
| 3        | 4-929-074-01   | SCREW (3X8)                            |        | 14       | 4-884-635-21   | BASE, ORNAMENTAL (GOLD)          |        | 54       | 4-941-631-01   | PANEL, FRONT (AEP, E, AUS) (BLACK) |        | 65       | 4-941-650-21   | PLATE, INDICATION (GOLD)      |        |
| 4        | 4-925-367-21   | CASE (TOP PLATE) (BLACK)               |        | 15       | X-4941-212-1   | PANEL ASSY, LOADING (BLACK)      |        | 54       | 4-941-631-11   | PANEL, FRONT (GOLD)                |        | 66       | X-4941-210-1   | BASE (R) ASSY, PANEL (BLACK)  |        |
| 4        | 4-925-367-31   | CASE (TOP PLATE) (GOLD)                |        | 15       | X-4941-680-1   | PANEL ASSY, LOADING (GOLD)       |        | 54       | 4-941-631-22   | PANEL, FRONT (US, Canadian, UK)    |        | 66       | X-4941-678-1   | BASE (R) ASSY, PANEL (GOLD)   |        |
| 5        | * 4-913-189-11 | FELT (B), ACOUSTIC ABSORBENT           |        | 16       | * 4-935-913-11 | CUSHION (BLACK)                  |        | 55       | A-4604-877-A   | KNOB (HP) ASSY (GOLD)              |        | 67       | * 4-923-532-21 | SPACER, LED                   |        |
| 6        | * 4-918-690-01 | SHEET, ADHESIVE                        |        | 16       | 4-935-913-01   | CUSHION (GOLD)                   |        | 55       | A-4604-698-A   | KNOB (HP) ASSY (BLACK)             |        | 68       | * 4-941-220-01 | COVER (CABLE)                 |        |
| 7        | * 4-923-563-11 | CUSHION (BLACK)                        |        | 17       | * 4-378-254-31 | SHEET (BLACK)                    |        | 56       | * 1-637-411-11 | TIMER BOARD                        |        | 69       | 3-531-576-11   | RIVET                         |        |
| 7        | * 4-923-563-01 | CUSHION                                |        | 17       | * 4-378-254-11 | SHEET (GOLD)                     |        | 58       | 3-703-885-21   | SCREW (+BV 3X8) (US, Canadian, UK) |        | 70       | 4-941-648-01   | INDICATOR (MODE)              |        |
| 8        | X-4922-574-2   | BOARD (LEFT) ASSY, SIDE (AEP) (BLACK)  |        | 18       | X-4922-549-1   | FOOT ASSY (BLACK)                |        | 59       | 4-941-647-01   | BUTTON (DISPLAY) (BLACK)           |        | 71       | * 1-637-410-11 | DISPLAY BOARD                 |        |
| 8        | X-4941-199-1   | BOARD (LEFT) ASSY, SIDE (GOLD)         |        | 18       | X-4941-711-1   | FOOT ASSY (GOLD)                 |        | 59       | 4-941-647-21   | BUTTON (DISPLAY) (GOLD)            |        | 72       | * 1-637-409-11 | FUNCTION BOARD                |        |
| 9        | 4-925-368-11   | CASE (LEFT) (BLACK)                    |        | 19       | 4-935-917-01   | WASHER (CASE)                    |        | 60       | 4-922-518-11   | KNOB (TIMER) (BLACK)               |        | D701     | 8-719-970-07   | DIODE MBG3371X-TP-J47K        |        |
| 9        | 4-925-368-21   | CASE (LEFT) (GOLD)                     |        | 20       | 4-922-543-01   | FOOT                             |        | 60       | 4-922-518-61   | KNOB (TIMER) (GOLD)                |        | D702     | 8-719-971-52   | DIODE M53371X-TP-J47K         |        |
| 10       | 4-885-979-11   | SCREW (4X25) (EXCEPT FOR UK)           |        | 21       | * 4-929-017-01 | CUSHION                          |        | 61       | * 4-928-053-01 | HOLDER (LEFT)                      |        | FLD801   | 1-519-622-11   | INDICATOR TUBE, FLUORESCENT   |        |
| 11       | X-4922-575-2   | BOARD (RIGHT) ASSY, SIDE (AEP) (BLACK) |        | 22       | 4-947-802-00   | SCREW (UK)                       |        | 62       | * 4-928-052-01 | HOLDER (RIGHT)                     |        |          |                |                               |        |
| 11       | X-4941-200-1   | BOARD (RIGHT) ASSY, SIDE (GOLD)        |        | 23       | * 4-925-370-02 | BASE, FOOT (BLACK)               |        |          |                |                                    |        |          |                |                               |        |
|          |                |  |        | 23       | * 4-925-370-11 | BASE, FOOT (GOLD)                |        |          |                |                                    |        |          |                |                               |        |



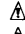
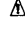

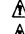
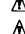
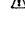




**Note:**  
The components identified by mark  or dotted line with mark  are critical for safety. Replace only with part number specified.

**Note:**  
Les composants identifiés par une marque  sont critiques pour la sécurité. Ne les remplacer que par une pièce portant le numéro spécifié.

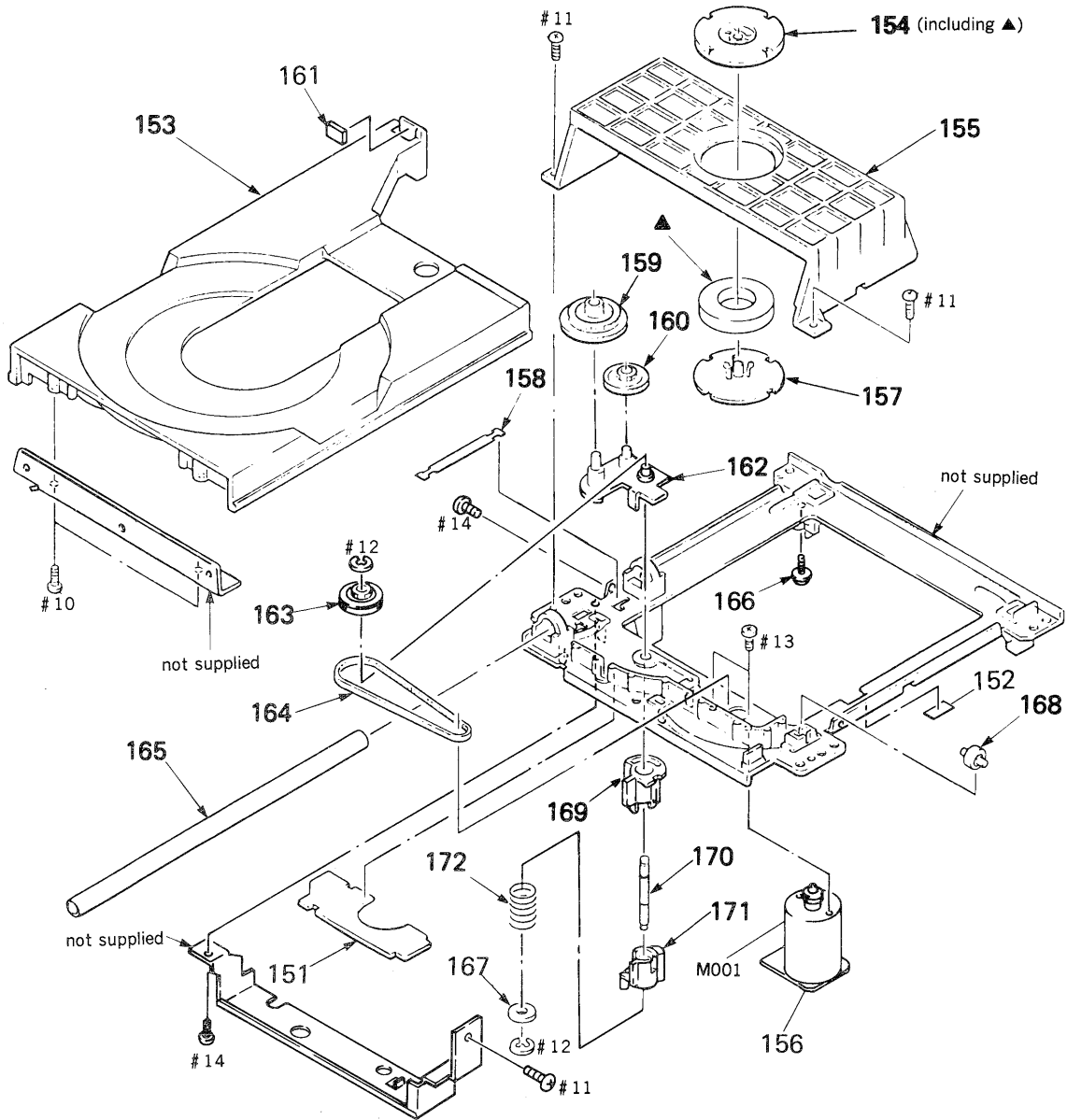
### 4-3. CHASSIS



| Ref. No. | Part No.   | Description                          | Remark |
|----------|--|--------------------------------------|--------|
| 101      | 4-929-074-01   | SCREW (3X8)                          |        |
| 102      |  1-533-183-11 | HOLDER, FUSE                         |        |
| 103      | 4-923-520-01   | KNOB, POWER (BLACK)                  |        |
| 103      | 4-923-520-41   | KNOB, POWER (GOLD)                   |        |
| 104      | * 1-637-416-11   | AC BOARD                             |        |
| 105      | * 4-942-524-01   | COVER (POWER)                        |        |
| 106      | 3-531-576-11   | RIVET                                |        |
| 107      | 3-655-653-21   | BAND (TAITON), BINDING               |        |
| 108      | * 4-888-798-00   | BUSHING, RUBBER                      |        |
| 109      | 4-928-032-01   | COLLAR (A)                           |        |
| 110      | * A-4617-752-A   | POWER BOARD, COMPLETE (EXCEPT FOR E) |        |
| 110      | * A-4617-753-A   | POWER BOARD, COMPLETE (E)            |        |
| 111      | * 4-922-525-01   | HEAT SINK                            |        |
| 112      | * A-4617-601-A   | SERVO BOARD, COMPLETE                |        |
| 113      | * 4-363-146-00   | HEAT SINK, V. OUT                    |        |
| 114      | * 4-923-873-01   | BRACKET, CORD STOPPER (BLACK)        |        |
| 114      | * 4-923-873-11   | BRACKET, CORD STOPPER (GOLD)         |        |
| 115      | * 3-703-244-00   | BUSHING (2104), CORD                 |        |
| 116      | 3-703-685-21   | SCREW (+BV 3X8)                      |        |
| 117      | * 4-941-633-31   | PANEL, BACK (AEP) (BLACK)            |        |
| 117      | * 4-941-638-11   | PANEL, BACK (GOLD)                   |        |
| 117      | 4-941-633-12   | PANEL, BACK (US)                     |        |
| 117      | 4-941-633-22   | PANEL, BACK (Canadian)               |        |
| 117      | 4-941-633-41   | PANEL, BACK (UK, AUS)                |        |
| 117      | 4-941-633-52   | PANEL, BACK (E)                      |        |



| Ref. No. | Part No.   | Description                                    | Remark |
|----------|--|--|--------|
| 118      | * A-4617-946-A   | AUDIO BOARD, COMPLETE                          |        |
| 119      | * 1-637-418-11   | LINE OUT BOARD                                 |        |
| 120      | * 1-637-417-11   | OPT BOARD                                      |        |
| 121      |  1-555-795-00 | CORD, POWER (AEP)                              |        |
| 122      | 3-575-524-00   | COVER, POWER SWITCH                            |        |
| 123      | * 3-701-948-10   | LABEL (T400MA), FUSE (AEP, UK, AUS)            |        |
| 123      | 3-701-946-22   | LABEL (1.6A 125V), FUSE (US, Canadian)         |        |
| 123      | 3-701-947-10   | LABEL (T800MA), FUSE (E)                       |        |
| 124      | * 3-846-311-00   | SPACER (D)                                     |        |
| 125      |  1-557-577-11 | CORD, POWER (US, Canadian)                     |        |
| 126      |  1-556-035-00 | CORD, POWER (UK)                               |        |
| 127      |  1-555-386-00 | CORD, POWER (E)                                |        |
| 128      |  1-575-379-11 | CORD, POWER (AUS)                              |        |
| 129      | 3-831-441-XX   | CUSHION  |        |
| 130      | * 4-941-548-01   | LABEL, CLASS 1 (EXCEPT FOR US, Canadian)       |        |
| F991     |  1-532-066-00 | FUSE, TIME-LAG (0.4A) (AEP, UK, AUS)           |        |
| F991     |  1-532-215-00 | FUSE, TIME LAG (0.8A) (E)                      |        |
| F991     |  1-523-742-11 | FUSE, GLASS TUBE (1.6A) (US, Canadian)         |        |
| S991     |  1-570-156-11 | SWITCH, PUSH (AC POWER) (1 KEY)                |        |
| T901     |  1-450-521-11 | TRANSFORMER, POWER (AEP, UK, AUS)              |        |
| T901     |  1-450-025-21 | TRANSFORMER, POWER (US, Canadian)              |        |
| T901     |  1-450-028-21 | TRANSFORMER, POWER (E)                         |        |
| T902     |  1-450-522-11 | TRANSFORMER, POWER (AEP, UK, AUS)              |        |
| T902     |  1-450-024-21 | TRANSFORMER, POWER (US, Canadian)              |        |
| VS901    |  1-526-576-51 | SELECTOR, POWER VOLTAGE (VOLTAGE SELECTOR) (E) |        |


**4-4. CD MECHANISM BLOCK**  
**(CDM11H-6C): (BLACK)**  
**(CDM11I-6C) : (GOLD)**

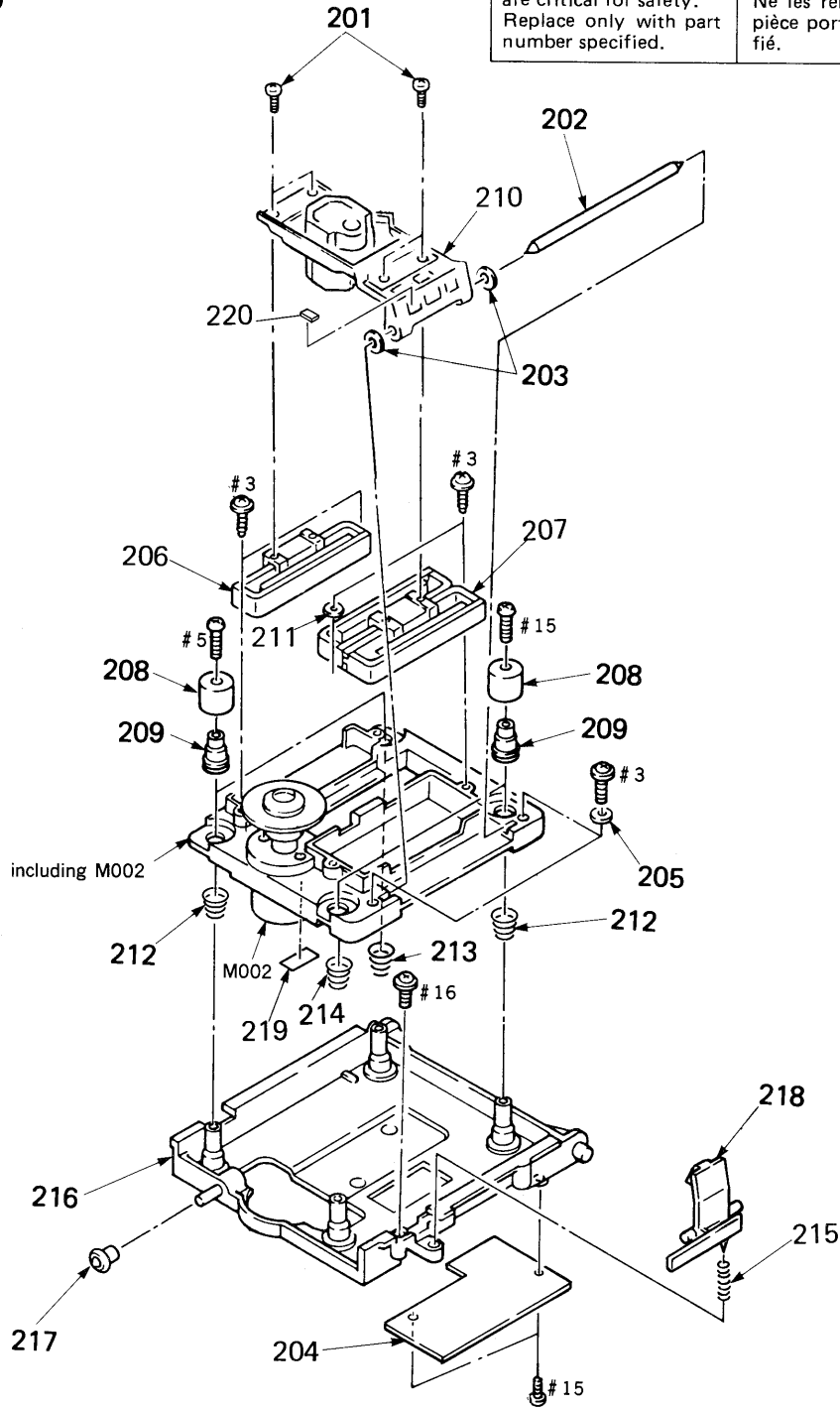



| Ref. No. | Part No.       | Description               | Remark | Ref. No. | Part No.       | Description         | Remark |
|----------|----------------|---------------------------|--------|----------|----------------|---------------------|--------|
| 151      | * 1-632-974-11 | SWITCH BOARD              |        | 162      | X-4927-608-1   | ARM ASSY, SWING     |        |
| 152      | 3-831-441-XX   | CUSHION                   |        | 163      | 4-929-724-01   | PULLEY (B)          |        |
| 153      | * 4-927-642-11 | TABLE (EXL), DISK (GOLD)  |        | 164      | 4-927-649-01   | BELT                |        |
| 153      | * 4-927-642-01 | TABLE (EXL), DISK (BLACK) |        | 165      | 4-927-617-01   | BAR, GUIDE          |        |
| 154      | A-4665-024-A   | MAGNET ASSY               |        | 166      | * 4-917-583-21 | BRACKET, YOKE       |        |
| 155      | * 4-927-638-03 | HOLDER (A, P)             |        | 167      | 4-927-654-01   | WASHER (LIMITER)    |        |
| 156      | * 1-632-975-11 | L. MOTOR BOARD            |        | 168      | 4-927-627-01   | ROLLER (S, G)       |        |
| 157      | * 4-918-679-04 | PULLEY, PRESS             |        | 169      | 4-927-624-01   | CAM (L, A)          |        |
| 158      | * 4-927-648-01 | SLIDER (GROUND)           |        | 170      | 4-927-665-01   | SHAFT (S)           |        |
| 159      | 4-927-620-01   | GEAR (P)                  |        | 171      | 4-927-635-01   | CAM (L, B)          |        |
| 160      | 4-927-628-01   | GEAR (C)                  |        | 172      | 3-659-338-00   | SPRING, COMPRESSION |        |
| 161      | * 4-927-670-01 | CUSHION (MD)              |        | M001     | A-4604-347-A   | MOTOR (L) ASSY      |        |

4-5. BASE UNIT (BU-6C)

**Note:**  
The components identified by mark  or dotted line with mark  are critical for safety. Replace only with part number specified.

**Note:**  
Les composants identifiés par une marque  sont critiques pour la sécurité. Ne les remplacer que par une pièce portant le numéro spécifié.



| Ref. No. | Part No.   | Description              | Remark | Ref. No. | Part No.       | Description                           | Remark |
|----------|--|--------------------------|--------|----------|----------------|---------------------------------------|--------|
| 201      | 3-318-203-61   | SCREW (B1. 7X4). TAPPING |        | 212      | 4-917-572-01   | SPRING (B)                            |        |
| 202      | * 4-910-431-01   | SHAFT, SLIDE             |        | 213      | 4-917-571-01   | SPRING (A)                            |        |
| 203      | * 4-917-582-01   | CUSHION, SLIDE           |        | 214      | 4-917-573-01   | SPRING (E)                            |        |
| 204      | * 1-632-973-11   | TRANSLATION BOARD        |        | 215      | 3-305-423-00   | SPRING, COMPRESSION                   |        |
| 205      | 4-927-318-01   | WASHER                   |        | 216      | * 4-927-637-01 | HOLDER (BU-6)                         |        |
| 206      | A-4638-084-A   | SENSOR ASSY, SPEED       |        | 217      | 4-927-631-01   | ROLLER (L)                            |        |
| 207      | A-4608-335-A   | MOTOR ASSY, LINEAR       |        | 218      | 4-927-626-01   | LEVER (L)                             |        |
| 208      | 4-927-634-01   | HOLDER (SP)              |        | 219      | 3-831-441-XX   | CUSHION                               |        |
| 209      | * 4-917-584-11   | INSULATOR                |        | 220      | 4-922-694-01   | CUSHION                               |        |
| 210      |  8-848-209-11 | DEVICE, OPTICAL KSS-271A |        | M002     | X-4927-605-3   | BASE ASSY, MECHANICAL (SPINDLE MOTOR) |        |
| 211      | 4-927-669-01   | WASHER (BU)              |        |          |                |                                       |        |

## SECTION 5 ELECTRICAL PARTS LIST

**AC**

**AUDIO**

**NOTE:**

- Due to standardization, replacements in the parts list may be different from the parts specified in the diagrams or the components used on the set.
- Items marked "\*" are not stocked since they are seldom required for routine service. Some delay should be anticipated when ordering these items.
- -XX, -X mean standardized parts, so they may have some differences from the original one.
- CAPACITORS  
uF:  $\mu$ F

- RESISTORS  
All resistors are in ohms  
METAL: Metal-film resistor  
METAL OXIDE: Metal Oxide-film resistor  
F: nonflammable
- COILS  
uH:  $\mu$ H
- SEMICONDUCTORS  
In each case, u:  $\mu$ , for example:  
uA...:  $\mu$ A..., uPA...:  $\mu$ PA...,  
uPB...:  $\mu$ PB..., uPC...:  $\mu$ PC...,  
uPD...:  $\mu$ PD....
- CND: canadian model
- AUS: Australian model

The components identified by mark  $\Delta$  or dotted line with mark  $\Delta$  are critical for safety. Replace only with part number specified.

Les composants identifiés par une marque  $\Delta$  sont critiques pour la sécurité. Ne les remplacer que par une pièce portant le numéro spécifié.

When indicating parts by reference number, please include the board name.

| Ref. No. | Part No.              | Description                    | Remark         | Ref. No. | Part No.     | Description          | Remark |
|----------|-----------------------|--------------------------------|----------------|----------|--------------|----------------------|--------|
|          | * 1-637-416-11        | AC BOARD<br>*****              |                | C401     | 1-130-495-00 | MYLAR 0.1uF 5%       | 50V    |
|          | 1-533-183-11          | HOLDER, FUSE                   |                | C402     | 1-130-495-00 | MYLAR 0.1uF 5%       | 50V    |
|          |                       | < CAPACITOR >                  |                | C403     | 1-124-122-11 | ELECT 100uF 20%      | 50V    |
| C991     | $\Delta$ 1-161-744-00 | CERAMIC 0.01uF                 | 400V           | C404     | 1-130-495-00 | MYLAR 0.1uF 5%       | 50V    |
| C993     | 1-161-744-00          | CERAMIC 0.01uF                 | 400V (US, CND) | C405     | 1-136-808-11 | FILM 100PF 5%        | 100V   |
|          |                       | < CONNECTOR >                  |                | C406     | 1-136-811-11 | FILM 330PF 5%        | 100V   |
| CN991    | * 1-535-140-00        | BASE POST 22MM (10MM PITCH) 3P |                | C407     | 1-136-811-11 | FILM 330PF 5%        | 100V   |
| CN992    | * 1-535-140-00        | BASE POST 22MM (10MM PITCH) 3P |                | C408     | 1-136-192-11 | FILM 0.0018uF 2%     | 100V   |
| CN993    | 1-535-139-00          | BASE POST 22MM (10MM PITCH) 2P |                | C409     | 1-107-210-00 | MICA 22PF 5%         | 500V   |
|          |                       | < TERMINAL >                   |                | C410     | 1-136-192-11 | FILM 0.0018uF 2%     | 100V   |
| TN991    | * 1-535-771-11        | TERMINAL                       |                | C411     | 1-136-192-11 | FILM 0.0018uF 2%     | 100V   |
| TN992    | * 1-535-771-11        | TERMINAL                       |                | C414     | 1-124-572-11 | ELECT 100uF 20%      | 63V    |
| *****    |                       |                                |                | C415     | 1-136-580-11 | FILM 0.47uF 10%      | 200V   |
|          | * A-4617-946-A        | AUDIO BOARD, COMPLETE<br>***** |                | C416     | 1-162-806-11 | CERAMIC 0.1uF 10%    | 50V    |
|          | * 1-569-135-11        | BAR, BUS 4P                    |                | C417     | 1-124-122-11 | ELECT 100uF 20%      | 50V    |
|          | 7-682-147-15          | SCREW, TR                      |                | C418     | 1-126-066-11 | ELECT 470uF 20%      | 63V    |
|          | * 4-363-146-00        | HEAT SINK, V. OUT              |                | C419     | 1-124-130-00 | ELECT 100uF 20%      | 63V    |
|          |                       | < CAPACITOR >                  |                | C422     | 1-136-165-00 | FILM 0.1uF 5%        | 50V    |
| C207     | 1-162-306-11          | CERAMIC 0.01uF                 | 20% 16V        | C423     | 1-130-495-00 | MYLAR 0.1uF 5%       | 50V    |
| C208     | 1-136-165-00          | FILM 0.1uF                     | 5% 50V         | C424     | 1-104-262-00 | POLYSTYRENE 10PF 10% | 125V   |
| C209     | 1-126-011-11          | ELECT 330uF                    | 20% 16V        | C425     | 1-104-262-00 | POLYSTYRENE 10PF 10% | 125V   |
| C211     | 1-136-165-00          | FILM 0.1uF                     | 5% 50V         | C426     | 1-124-130-00 | ELECT 100uF 20%      | 63V    |
| C221     | 1-162-294-31          | CERAMIC 0.001uF                | 10% 50V        | C427     | 1-136-811-11 | FILM 330PF 5%        | 100V   |
|          |                       |                                |                | C428     | 1-136-811-11 | FILM 330PF 5%        | 100V   |
|          |                       |                                |                | C429     | 1-106-351-00 | MYLAR 2200PF 5%      | 200V   |
|          |                       |                                |                | C430     | 1-106-351-00 | MYLAR 2200PF 5%      | 200V   |
|          |                       |                                |                | C431     | 1-136-763-11 | FILM 1uF 10%         | 100V   |
|          |                       |                                |                | C432     | 1-124-130-00 | ELECT 100uF 20%      | 63V    |
|          |                       |                                |                | C433     | 1-107-210-00 | MICA 22PF 5%         | 500V   |
|          |                       |                                |                | C434     | 1-124-922-11 | ELECT 1000uF 20%     | 63V    |
|          |                       |                                |                | C435     | 1-130-495-00 | MYLAR 0.1uF 5%       | 50V    |
|          |                       |                                |                | C441     | 1-130-495-00 | MYLAR 0.1uF 5%       | 50V    |
|          |                       |                                |                | C442     | 1-130-495-00 | MYLAR 0.1uF 5%       | 50V    |
|          |                       |                                |                | C443     | 1-124-122-11 | ELECT 100uF 20%      | 50V    |

## AUDIO

| Ref. No. | Part No.     | Description | Remark   |     |      |
|----------|--------------|-------------|----------|-----|------|
| C444     | 1-130-495-00 | MYLAR       | 0.1uF    | 5%  | 50V  |
| C445     | 1-136-808-11 | FILM        | 100PF    | 5%  | 100V |
| C447     | 1-126-049-11 | ELECT       | 22uF     | 20% | 25V  |
| C448     | 1-126-059-11 | ELECT       | 10uF     | 20% | 50V  |
| C449     | 1-124-910-11 | ELECT       | 47uF     | 20% | 50V  |
| C451     | 1-123-343-00 | ELECT       | 33uF     | 20% | 35V  |
| C452     | 1-126-335-11 | ELECT       | 220uF    | 20% | 10V  |
| C471     | 1-130-495-00 | MYLAR       | 0.1uF    | 5%  | 50V  |
| C480     | 1-136-165-00 | FILM        | 0.1uF    | 5%  | 50V  |
| C481     | 1-126-059-11 | ELECT       | 330uF    | 20% | 25V  |
| C482     | 1-136-165-00 | FILM        | 0.1uF    | 5%  | 50V  |
| C483     | 1-124-122-11 | ELECT       | 100uF    | 20% | 50V  |
| C484     | 1-124-122-11 | ELECT       | 100uF    | 20% | 50V  |
| C485     | 1-136-165-00 | FILM        | 0.1uF    | 5%  | 50V  |
| C490     | 1-126-011-11 | ELECT       | 330uF    | 20% | 16V  |
| C501     | 1-130-495-00 | MYLAR       | 0.1uF    | 5%  | 50V  |
| C502     | 1-130-495-00 | MYLAR       | 0.1uF    | 5%  | 50V  |
| C503     | 1-124-122-11 | ELECT       | 100uF    | 20% | 50V  |
| C504     | 1-130-495-00 | MYLAR       | 0.1uF    | 5%  | 50V  |
| C505     | 1-136-808-11 | FILM        | 100PF    | 5%  | 100V |
| C506     | 1-136-811-11 | FILM        | 330PF    | 5%  | 100V |
| C507     | 1-136-811-11 | FILM        | 330PF    | 5%  | 100V |
| C508     | 1-136-192-11 | FILM        | 0.0018uF | 2%  | 100V |
| C509     | 1-107-210-00 | MICA        | 22PF     | 5%  | 500V |
| C510     | 1-136-192-11 | FILM        | 0.0018uF | 2%  | 100V |
| C511     | 1-136-192-11 | FILM        | 0.0018uF | 2%  | 100V |
| C512     | 1-162-806-11 | CERAMIC     | 0.1uF    | 10% | 50V  |
| C513     | 1-162-806-11 | CERAMIC     | 0.1uF    | 10% | 50V  |
| C514     | 1-124-572-11 | ELECT       | 100uF    | 20% | 63V  |
| C515     | 1-136-580-11 | FILM        | 0.47uF   | 10% | 200V |
| C525     | 1-136-811-11 | FILM        | 330PF    | 5%  | 100V |
| C526     | 1-136-811-11 | FILM        | 330PF    | 5%  | 100V |
| C531     | 1-136-763-11 | FILM        | 1uF      | 10% | 100V |
| C532     | 1-124-130-00 | ELECT       | 100uF    | 20% | 63V  |
| C533     | 1-107-210-00 | MICA        | 22PF     | 5%  | 500V |
| C534     | 1-124-922-11 | ELECT       | 1000uF   | 20% | 63V  |
| C541     | 1-130-495-00 | MYLAR       | 0.1uF    | 5%  | 50V  |
| C542     | 1-130-495-00 | MYLAR       | 0.1uF    | 5%  | 50V  |
| C543     | 1-124-122-11 | ELECT       | 100uF    | 20% | 50V  |
| C545     | 1-136-808-11 | FILM        | 100PF    | 5%  | 100V |
| C546     | 1-124-122-11 | ELECT       | 100uF    | 20% | 50V  |
| C547     | 1-124-122-11 | ELECT       | 100uF    | 20% | 50V  |
| C548     | 1-162-806-11 | CERAMIC     | 0.1uF    | 10% | 50V  |
| C551     | 1-123-343-00 | ELECT       | 33uF     | 20% | 35V  |
| C552     | 1-126-335-11 | ELECT       | 220uF    | 20% | 10V  |
| C554     | 1-130-495-00 | MYLAR       | 0.1uF    | 5%  | 50V  |
| C571     | 1-130-495-00 | MYLAR       | 0.1uF    | 5%  | 50V  |
| C581     | 1-124-122-11 | ELECT       | 100uF    | 20% | 50V  |
| C582     | 1-126-059-11 | ELECT       | 330uF    | 20% | 25V  |

| Ref. No. | Part No.     | Description | Remark |     |     |
|----------|--------------|-------------|--------|-----|-----|
| C583     | 1-136-165-00 | FILM        | 0.1uF  | 5%  | 50V |
| C941     | 1-123-380-00 | ELECT       | 1uF    | 20% | 50V |
| C942     | 1-126-059-11 | ELECT       | 10uF   | 20% | 50V |

## &lt; CONNECTOR &gt;

|       |                |                                |
|-------|----------------|--------------------------------|
| CN203 | * 1-564-710-11 | PIN, CONNECTOR (SMALL TYPE) 8P |
| CN204 | * 1-564-708-11 | PIN, CONNECTOR (SMALL TYPE) 6P |
| CN401 | * 1-564-505-11 | PLUG, CONNECTOR 2P             |
| CN402 | * 1-564-505-11 | PLUG, CONNECTOR 2P             |
| CN403 | * 1-564-506-11 | PLUG, CONNECTOR 3P             |
| CN450 | * 1-564-506-11 | PLUG, CONNECTOR 3P             |
| CN451 | * 1-564-507-11 | PLUG, CONNECTOR 4P             |
| CN452 | * 1-535-116-00 | TERMINAL                       |
| CN501 | * 1-564-505-11 | PLUG, CONNECTOR 2P             |
| CN502 | * 1-564-505-11 | PLUG, CONNECTOR 2P             |
| CN503 | * 1-564-506-11 | PLUG, CONNECTOR 3P             |
| CN931 | * 1-564-505-11 | PLUG, CONNECTOR 2P             |

## &lt; DIODE &gt;

|      |              |       |            |
|------|--------------|-------|------------|
| D401 | 8-719-200-31 | DIODE | 21DQ05     |
| D403 | 8-719-114-26 | DIODE | RD4.7JSB2  |
| D404 | 8-719-114-30 | DIODE | RD5.1JSB2  |
| D405 | 8-719-114-30 | DIODE | RD5.1JSB2  |
| D421 | 8-719-912-20 | DIODE | 1SS120     |
| D422 | 8-719-912-20 | DIODE | 1SS120     |
| D432 | 8-719-902-87 | DIODE | EQB01-08Q  |
| D451 | 8-719-200-31 | DIODE | 21DQ05     |
| D471 | 8-719-912-20 | DIODE | 1SS120     |
| D472 | 8-719-933-47 | DIODE | HZS7B2L    |
| D532 | 8-719-902-87 | DIODE | EQB01-08Q  |
| D571 | 8-719-912-20 | DIODE | 1SS120     |
| D572 | 8-719-933-47 | DIODE | HZS7B2L    |
| D941 | 8-719-109-81 | DIODE | RD4.7ES-B2 |

## &lt; IC &gt;

|       |              |    |             |
|-------|--------------|----|-------------|
| IC202 | 8-752-328-61 | IC | CXD1244S    |
| IC203 | 8-752-339-86 | IC | CXD2557M    |
| IC401 | 8-752-335-52 | IC | CXD2552Q-2  |
| IC402 | 8-759-917-18 | IC | SN74HCU04AN |
| IC403 | 8-759-917-18 | IC | SN74HCU04AN |
| IC405 | 8-759-900-72 | IC | NE5532P     |
| IC406 | 8-759-900-72 | IC | NE5532P     |
| IC407 | 8-759-900-72 | IC | NE5532P     |
| IC408 | 8-759-900-72 | IC | NE5532P     |
| IC501 | 8-752-335-52 | IC | CXD2552Q-2  |
| IC506 | 8-759-900-72 | IC | NE5532P     |
| IC507 | 8-759-900-72 | IC | NE5532P     |
| IC508 | 8-759-900-72 | IC | NE5532P     |
| IC551 | 8-759-981-85 | IC | RC4556D     |



## AUDIO

| Ref. No. | Part No.     | Description           | Remark | Ref. No. | Part No.     | Description    | Remark |
|----------|--------------|-----------------------|--------|----------|--------------|----------------|--------|
|          |              | < COIL >              |        |          |              |                |        |
| L401     | 1-410-509-11 | INDUCTOR 10uH         |        | R410     | 1-247-721-11 | CARBON 4.7K 5% | 1/4W   |
| L402     | 1-410-509-11 | INDUCTOR 10uH         |        | R411     | 1-247-721-11 | CARBON 4.7K 5% | 1/4W   |
| L403     | 1-410-509-11 | INDUCTOR 10uH         |        | R412     | 1-247-721-11 | CARBON 4.7K 5% | 1/4W   |
| L404     | 1-410-521-11 | INDUCTOR 100uH        |        | R413     | 1-247-721-11 | CARBON 4.7K 5% | 1/4W   |
| L405     | 1-410-397-21 | FERRITE BEAD INDUCTOR |        | R414     | 1-249-929-11 | CARBON 1.8K 1% | 1/4W   |
|          |              | < TRANSISTOR >        |        | R415     | 1-249-929-11 | CARBON 1.8K 1% | 1/4W   |
| Q401     | 8-729-201-05 | TRANSISTOR 2SC2878-B  |        | R416     | 1-249-929-11 | CARBON 1.8K 1% | 1/4W   |
| Q402     | 8-729-194-13 | TRANSISTOR 2SC1941-KA |        | R417     | 1-249-929-11 | CARBON 1.8K 1% | 1/4W   |
| Q403     | 8-729-620-23 | TRANSISTOR 2SC3246-JK |        | R418     | 1-247-891-00 | CARBON 330K 5% | 1/4W   |
| Q430     | 8-729-200-56 | TRANSISTOR 2SK241-GR  |        | R419     | 1-247-700-11 | CARBON 100 5%  | 1/4W   |
| Q431     | 8-729-803-76 | TRANSISTOR 2SC1371-E  |        |          |              |                |        |
| Q432     | 8-729-190-53 | TRANSISTOR 2SA985A-P  |        | R420     | 1-249-512-11 | CARBON 22 5%   | 1/4W   |
| Q433     | 8-729-194-13 | TRANSISTOR 2SC1941-KA |        | R421     | 1-249-413-11 | CARBON 470 5%  | 1/4W   |
| Q434     | 8-729-803-76 | TRANSISTOR 2SA1371-E  |        | R422     | 1-249-413-11 | CARBON 470 5%  | 1/4W   |
| Q451     | 8-729-107-XX | TRANSISTOR 2SC3622A-K |        | R423     | 1-249-429-11 | CARBON 10K 5%  | 1/4W   |
| Q472     | 8-729-900-61 | TRANSISTOR DTA114ES   |        | R424     | 1-247-903-00 | CARBON 1M 5%   | 1/4W   |
| Q501     | 8-729-201-05 | TRANSISTOR 2SC2878-B  |        |          |              |                |        |
| Q530     | 8-729-200-56 | TRANSISTOR 2SK241-GR  |        | R425     | 1-249-413-11 | CARBON 470 5%  | 1/4W   |
| Q531     | 8-729-194-13 | TRANSISTOR 2SC1941-KA |        | R426     | 1-249-429-11 | CARBON 10K 5%  | 1/4W   |
| Q532     | 8-729-107-53 | TRANSISTOR 2SC2275A-P |        | R431     | 1-249-633-11 | CARBON 22 5%   | 1/2W   |
| Q533     | 8-729-803-76 | TRANSISTOR 2SA1371-E  |        | R432     | 1-247-749-11 | CARBON 560 5%  | 1/2W   |
| Q534     | 8-729-194-13 | TRANSISTOR 2SC1941-KA |        | R433     | 1-247-719-11 | CARBON 3.3K 5% | 1/4W   |
| Q551     | 8-729-107-XX | TRANSISTOR 2SC3622A-K |        |          |              |                |        |
| Q572     | 8-729-900-61 | TRANSISTOR DTA114ES   |        | R434     | 1-249-844-11 | CARBON 56K 5%  | 1/2W   |
| Q931     | 8-729-900-89 | TRANSISTOR DTC144ES   |        | R435     | 1-249-792-11 | CARBON 390 5%  | 1/2W   |
| Q932     | 8-729-900-89 | TRANSISTOR DTC144ES   |        | R436     | 1-247-751-11 | CARBON 820 5%  | 1/2W   |
| Q933     | 8-729-115-28 | TRANSISTOR BN1L3Z-K   |        | R441     | 1-249-947-11 | CARBON 10K 1%  | 1/4W   |
| Q941     | 8-729-900-61 | TRANSISTOR DTA114ES   |        | R442     | 1-249-947-11 | CARBON 10K 1%  | 1/4W   |
|          |              | < RESISTOR >          |        |          |              |                |        |
| R212     | 1-259-428-11 | CARBON 1K 5%          | 1/6W   | R449     | 1-259-428-11 | CARBON 1K 5%   | 1/6W   |
| R213     | 1-249-413-11 | CARBON 470 5%         | 1/4W   | R451     | 1-247-700-11 | CARBON 100 5%  | 1/4W   |
| R214     | 1-249-413-11 | CARBON 470 5%         | 1/4W   | R452     | 1-259-476-11 | CARBON 100K 5% | 1/6W   |
| R215     | 1-249-413-11 | CARBON 470 5%         | 1/4W   | R453     | 1-259-462-11 | CARBON 27K 5%  | 1/6W   |
| R216     | 1-249-413-11 | CARBON 470 5%         | 1/4W   | R454     | 1-259-398-11 | CARBON 56 5%   | 1/6W   |
| R217     | 1-259-428-11 | CARBON 1K 5%          | 1/6W   |          |              |                |        |
| R401     | 1-249-947-11 | CARBON 10K 1%         | 1/4W   | R455     | 1-259-436-11 | CARBON 2.2K 5% | 1/6W   |
| R402     | 1-249-947-11 | CARBON 10K 1%         | 1/4W   | R456     | 1-259-462-11 | CARBON 27K 5%  | 1/6W   |
| R403     | 1-249-951-11 | CARBON 15K 1%         | 1/4W   | R458     | 1-247-700-11 | CARBON 100 5%  | 1/4W   |
| R404     | 1-249-951-11 | CARBON 15K 1%         | 1/4W   | R461     | 1-247-719-11 | CARBON 3.3K 5% | 1/4W   |
| R405     | 1-249-951-11 | CARBON 15K 1%         | 1/4W   | R462     | 1-249-556-11 | CARBON 1.5K 5% | 1/4W   |
| R406     | 1-249-951-11 | CARBON 15K 1%         | 1/4W   |          |              |                |        |
| R407     | 1-249-943-11 | CARBON 6.8K 1%        | 1/4W   | R472     | 1-249-439-11 | CARBON 68K 5%  | 1/4W   |
| R408     | 1-249-943-11 | CARBON 6.8K 1%        | 1/4W   | R473     | 1-249-435-11 | CARBON 33K 5%  | 1/4W   |
| R409     | 1-247-700-11 | CARBON 100 5%         | 1/4W   | R474     | 1-249-432-11 | CARBON 18K 5%  | 1/4W   |
|          |              |                       |        | R501     | 1-249-947-11 | CARBON 10K 1%  | 1/4W   |
|          |              |                       |        | R502     | 1-249-947-11 | CARBON 10K 1%  | 1/4W   |
|          |              |                       |        |          |              |                |        |
|          |              |                       |        | R503     | 1-249-951-11 | CARBON 15K 1%  | 1/4W   |
|          |              |                       |        | R504     | 1-249-951-11 | CARBON 15K 1%  | 1/4W   |
|          |              |                       |        | R505     | 1-249-951-11 | CARBON 15K 1%  | 1/4W   |
|          |              |                       |        | R506     | 1-249-951-11 | CARBON 15K 1%  | 1/4W   |
|          |              |                       |        | R507     | 1-249-943-11 | CARBON 6.8K 1% | 1/4W   |
|          |              |                       |        |          |              |                |        |
|          |              |                       |        | R508     | 1-249-943-11 | CARBON 6.8K 1% | 1/4W   |
|          |              |                       |        | R509     | 1-247-700-11 | CARBON 100 5%  | 1/4W   |
|          |              |                       |        | R510     | 1-247-721-11 | CARBON 4.7K 5% | 1/4W   |
|          |              |                       |        | R511     | 1-247-721-11 | CARBON 4.7K 5% | 1/4W   |

AUDIO

DISPLAY

FUNCTION

TIMER

| Ref. No. | Part No.     | Description | Remark |    |      |
|----------|--------------|-------------|--------|----|------|
| R512     | 1-247-721-11 | CARBON      | 4.7K   | 5% | 1/4W |
| R513     | 1-247-721-11 | CARBON      | 4.7K   | 5% | 1/4W |
| R514     | 1-249-929-11 | CARBON      | 1.8K   | 1% | 1/4W |
| R515     | 1-249-929-11 | CARBON      | 1.8K   | 1% | 1/4W |
| R516     | 1-249-929-11 | CARBON      | 1.8K   | 1% | 1/4W |
| R517     | 1-249-929-11 | CARBON      | 1.8K   | 1% | 1/4W |
| R518     | 1-247-891-00 | CARBON      | 330K   | 5% | 1/4W |
| R519     | 1-247-700-11 | CARBON      | 100    | 5% | 1/4W |
| R520     | 1-249-512-11 | CARBON      | 22     | 5% | 1/4W |
| R521     | 1-247-719-11 | CARBON      | 3.3K   | 5% | 1/4W |
| R522     | 1-249-947-11 | CARBON      | 10K    | 1% | 1/4W |
| R531     | 1-249-633-11 | CARBON      | 22     | 5% | 1/2W |
| R532     | 1-247-749-11 | CARBON      | 560    | 5% | 1/2W |
| R533     | 1-247-719-11 | CARBON      | 3.3K   | 5% | 1/4W |
| R534     | 1-249-844-11 | CARBON      | 56K    | 5% | 1/2W |
| R535     | 1-249-792-11 | CARBON      | 390    | 5% | 1/2W |
| R536     | 1-247-751-11 | CARBON      | 820    | 5% | 1/2W |
| R541     | 1-249-947-11 | CARBON      | 10K    | 1% | 1/4W |
| R542     | 1-249-947-11 | CARBON      | 10K    | 1% | 1/4W |
| R551     | 1-247-700-11 | CARBON      | 100    | 5% | 1/4W |
| R552     | 1-259-476-11 | CARBON      | 100K   | 5% | 1/6W |
| R553     | 1-259-462-11 | CARBON      | 27K    | 5% | 1/6W |
| R554     | 1-259-398-11 | CARBON      | 56     | 5% | 1/6W |
| R555     | 1-259-436-11 | CARBON      | 2.2K   | 5% | 1/6W |
| R556     | 1-259-462-11 | CARBON      | 27K    | 5% | 1/6W |
| R561     | 1-247-719-11 | CARBON      | 3.3K   | 5% | 1/4W |
| R562     | 1-249-556-11 | CARBON      | 1.5K   | 5% | 1/4W |
| R572     | 1-249-439-11 | CARBON      | 68K    | 5% | 1/4W |
| R573     | 1-249-435-11 | CARBON      | 33K    | 5% | 1/4W |
| R574     | 1-249-432-11 | CARBON      | 18K    | 5% | 1/4W |
| R931     | 1-249-441-11 | CARBON      | 100K   | 5% | 1/4W |
| R941     | 1-249-441-11 | CARBON      | 100K   | 5% | 1/4W |
| R942     | 1-249-429-11 | CARBON      | 10K    | 5% | 1/4W |
| R943     | 1-259-428-11 | CARBON      | 1K     | 5% | 1/6W |

< THERMISTOR >

TH401 1-806-882-11 THERMISTOR (POSITIVE)

< CRYSTAL >

X401 1-577-686-11 VIBRATOR, CRYSTAL (45MHz)  
 X402 1-577-685-11 FILTER, CRYSTAL (16MHz)

\*\*\*\*\*

| Ref. No.       | Part No.       | Description    | Remark         |     |
|----------------|----------------|----------------|----------------|-----|
| * 1-637-410-11 |                | DISPLAY BOARD  | *****          |     |
| * 1-637-409-11 |                | FUNCTION BOARD | *****          |     |
| * 1-637-411-11 |                | TIMER BOARD    | *****          |     |
| * 4-923-532-21 |                | SPACER, LED    |                |     |
| * 4-928-052-01 |                | HOLDER (RIGHT) |                |     |
| * 4-928-053-01 |                | HOLDER (LEFT)  |                |     |
| < CAPACITOR >  |                |                |                |     |
| C802           | 1-164-159-11   | CERAMIC        | 0.1uF          | 50V |
| C803           | 1-164-159-11   | CERAMIC        | 0.1uF          | 50V |
| < CONNECTOR >  |                |                |                |     |
| CN801          | * 1-564-341-11 | PIN, CONNECTOR | 7P             |     |
| CN802          | * 1-506-503-11 | PIN, CONNECTOR | 9P             |     |
| CN803          | * 1-564-340-00 | PIN, CONNECTOR | 6P             |     |
| < DIODE >      |                |                |                |     |
| D701           | 8-719-970-07   | DIODE          | MPG3371X-150   |     |
| D702           | 8-719-971-52   | DIODE          | MAY3371X-M-177 |     |
| D703           | 8-719-971-50   | DIODE          | MBG3371X-177   |     |
| D704           | 8-719-971-52   | DIODE          | MAY3371X-M-177 |     |
| D705           | 8-719-987-97   | DIODE          | BR3371X        |     |
| D706           | 8-719-970-98   | DIODE          | MPY3371X-177   |     |
| D801           | 8-719-107-94   | DIODE          | 1SS202-1       |     |
| D802           | 8-719-107-94   | DIODE          | 1SS202-1       |     |
| D803           | 8-719-107-94   | DIODE          | 1SS202-1       |     |
| D804           | 8-719-107-94   | DIODE          | 1SS202-1       |     |
| D805           | 8-719-107-94   | DIODE          | 1SS202-1       |     |
| D806           | 8-719-107-94   | DIODE          | 1SS202-1       |     |
| D807           | 8-719-107-94   | DIODE          | 1SS202-1       |     |

< FILTER >

FLD801 1-519-622-11 INDICATOR TUBE, FLUORESCENT

< IC >

IC801 8-759-505-50 IC MSC62408-015GS-V1K  
 IC802 8-741-100-48 IC SBX1610-59

< TRANSISTOR >

Q701 8-729-900-80 TRANSISTOR DTC114ES  
 Q702 8-729-900-80 TRANSISTOR DTC114ES  
 Q703 8-729-900-80 TRANSISTOR DTC114ES  
 Q704 8-729-900-80 TRANSISTOR DTC114ES  
 Q705 8-729-900-80 TRANSISTOR DTC114ES

**DISPLAY**    **FUNCTION**    **TIMER**    **HP**    **L. MOTOR**    **LINE OUT**    **M. VR**

| Ref. No.     | Part No.     | Description                        | Remark |
|--------------|--------------|------------------------------------|--------|
| Q706         | 8-729-900-80 | TRANSISTOR DTC114ES                |        |
| Q801         | 8-729-900-45 | TRANSISTOR DTC114EF                |        |
| Q802         | 8-729-900-45 | TRANSISTOR DTC114EF                |        |
| < RESISTOR > |              |                                    |        |
| R701         | 1-249-406-11 | CARBON 120 5% 1/4W                 |        |
| R702         | 1-249-406-11 | CARBON 120 5% 1/4W                 |        |
| R703         | 1-249-406-11 | CARBON 120 5% 1/4W                 |        |
| R704         | 1-249-406-11 | CARBON 120 5% 1/4W                 |        |
| R705         | 1-249-417-11 | CARBON 1K 5% 1/4W                  |        |
| R706         | 1-249-409-11 | CARBON 220 5% 1/4W                 |        |
| R801         | 1-249-425-11 | CARBON 4.7K 5% 1/4W                |        |
| R802         | 1-249-429-11 | CARBON 10K 5% 1/4W                 |        |
| R803         | 1-247-903-00 | CARBON 1M 5% 1/4W                  |        |
| R806         | 1-249-441-11 | CARBON 100K 5% 1/4W                |        |
| R809         | 1-249-441-11 | CARBON 100K 5% 1/4W                |        |
| < SWITCH >   |              |                                    |        |
| S701         | 1-554-937-11 | SWITCH, KEY BOARD (CONTINUE)       |        |
| S702         | 1-554-937-11 | SWITCH, KEY BOARD (SHUFFLE)        |        |
| S703         | 1-554-937-11 | SWITCH, KEY BOARD (PROGRAM)        |        |
| S704         | 1-554-937-11 | SWITCH, KEY BOARD (C. INDEX)       |        |
| S705         | 1-554-937-11 | SWITCH, KEY BOARD ( << )           |        |
| S706         | 1-554-937-11 | SWITCH, KEY BOARD (    )           |        |
| S707         | 1-554-937-11 | SWITCH, KEY BOARD ( > )            |        |
| S708         | 1-554-937-11 | SWITCH, KEY BOARD (P. SEARCH)      |        |
| S709         | 1-554-937-11 | SWITCH, KEY BOARD ( >> )           |        |
| S710         | 1-554-937-11 | SWITCH, KEY BOARD ( ■ )            |        |
| S711         | 1-554-937-11 | SWITCH, KEY BOARD (REPEAT)         |        |
| S712         | 1-554-937-11 | SWITCH, KEY BOARD ( << )           |        |
| S713         | 1-554-937-11 | SWITCH, KEY BOARD (FILE)           |        |
| S714         | 1-554-937-11 | SWITCH, KEY BOARD (TIME/MEMO)      |        |
| S715         | 1-554-937-11 | SWITCH, KEY BOARD ( >>> )          |        |
| S716         | 1-554-937-11 | SWITCH, KEY BOARD (ERASE)          |        |
| S717         | 1-554-937-11 | SWITCH, KEY BOARD (FILE RECALL)    |        |
| S718         | 1-554-937-11 | SWITCH, KEY BOARD (DISPLAY MODE)   |        |
| S719         | 1-554-937-11 | SWITCH, KEY BOARD (EDIT/TIME FADE) |        |
| S801         | 1-554-937-11 | SWITCH, KEY BOARD (OPEN/CLOSE)     |        |
| S802         | 1-554-937-11 | SWITCH, KEY BOARD (LEVEL FILE)     |        |
| S804         | 1-570-157-51 | SWITCH, SLIDE (TIMER)              |        |
| < CRYSTAL >  |              |                                    |        |
| X801         | 1-577-359-21 | VIBRATOR, CERAMIC (4.19MHz)        |        |

| Ref. No.              | Part No.       | Description                                   | Remark |
|-----------------------|----------------|---|--------|
|                       | * 1-637-413-11 | HP BOARD                                      |        |
|                       |                | *****   |        |
| < CAPACITOR >         |                |   |        |
| C461                  | 1-162-290-31   | CERAMIC 470PF 10% 50V                         |        |
| C561                  | 1-162-290-31   | CERAMIC 470PF 10% 50V                         |        |
| < JACK >              |                |   |        |
| J451                  | 1-568-519-31   | JACK, LARGE TYPE (PHONES) (BLACK)             |        |
| J451                  | 1-568-519-61   | JACK, LARGE TYPE (PHONES) (GOLD)              |        |
| *****                 |                |   |        |
|                       | * 1-632-975-11 | L. MOTOR BOARD                                |        |
|                       |                | *****   |        |
| < CAPACITOR >         |                |   |        |
| C001                  | 1-136-157-00   | FILM 0.022uF 5% 50V                           |        |
| *****                 |                |   |        |
|                       | * 1-637-418-11 | LINE OUT BOARD                                |        |
|                       |                | *****   |        |
| < DIODE >             |                |   |        |
| D491                  | 8-719-107-94   | DIODE 1SS202-1                                |        |
| < JACK >              |                |   |        |
| J401                  | 1-568-101-11   | JACK, PIN 4P (LINE OUT)                       |        |
| < RESISTOR >          |                |   |        |
| R491                  | 1-247-700-11   | CARBON 100 5% 1/4W                            |        |
| R591                  | 1-247-700-11   | CARBON 100 5% 1/4W                            |        |
| < RERAY >             |                |   |        |
| RY401                 | 1-515-727-11   | RELAY   |        |
| *****                 |                |   |        |
|                       | * 1-637-412-11 | M. VR BOARD                                   |        |
|                       |                | *****   |        |
| < VARIABLE RESISTOR > |                |   |        |
| RV461                 | 1-241-321-11   | RES, VAR, CARBON 10KX3 (LINE OUT PHONE LEVEL) |        |

OPT

POWER

SERVO

| Ref.No. | Part No.       | Description                               | Remark |
|---------|----------------|---|--------|
|         | * 1-637-417-11 | OPT BOARD<br>*****                        |        |
|         |                | < CAPACITOR >                             |        |
| C280    | 1-126-059-11   | ELECT 10uF 20%                            | 50V    |
|         |                | < IC >                                    |        |
| IC204   | 8-749-921-12   | IC GP1F32T                                |        |
| *****   |                |   |        |
|         | * A-4617-752-A | POWER BOARD, COMPLETE (EXCEPT E)<br>***** |        |
|         | * A-4617-753-A | POWER BOARD, COMPLETE (E)<br>*****        |        |
|         | * 1-569-135-11 | BAR, BUS 4P                               |        |
|         |                | < CAPACITOR >                             |        |
| C901    | 1-136-177-00   | FILM 1uF 5%                               | 50V    |
| C902    | 1-130-483-00   | MYLAR 0.01uF 5%                           | 50V    |
| C903    | 1-124-523-11   | ELECT 4700uF 20%                          | 16V    |
| C904    | 1-124-523-11   | ELECT 4700uF 20%                          | 16V    |
| C905    | 1-136-165-00   | FILM 0.1uF 5%                             | 50V    |
| C906    | 1-130-483-00   | MYLAR 0.01uF 5%                           | 50V    |
| C907    | 1-130-483-00   | MYLAR 0.01uF 5%                           | 50V    |
| C908    | 1-136-177-00   | FILM 1uF 5%                               | 50V    |
| C909    | 1-130-483-00   | MYLAR 0.01uF 5%                           | 50V    |
| C910    | 1-126-982-11   | ELECT 5600uF 20%                          | 35V    |
| C911    | 1-126-982-11   | ELECT 5600uF 20%                          | 35V    |
| C912    | 1-126-233-11   | ELECT 22uF 20%                            | 50V    |
| C913    | 1-124-572-11   | ELECT 100uF 20%                           | 63V    |
| C914    | 1-124-572-11   | ELECT 100uF 20%                           | 63V    |
| C915    | 1-124-910-11   | ELECT 47uF 20%                            | 50V    |
| C916    | 1-130-495-00   | MYLAR 0.1uF 5%                            | 50V    |
| C917    | 1-130-483-00   | MYLAR 0.01uF 5%                           | 50V    |
| C918    | 1-130-483-00   | MYLAR 0.01uF 5%                           | 50V    |
|         |                | < CONNECTOR >                             |        |
| CN901   | * 1-535-123-00 | TERMINAL (WITH BASE) 10P                  |        |
|         |                | < DIODE >                                 |        |
| D901    | 8-719-937-49   | DIODE RDF02M                              |        |
| D902    | 8-719-200-89   | DIODE 31DF2-FA                            |        |
| D903    | 8-719-200-89   | DIODE 31DF2-FA                            |        |
| D904    | 8-719-200-89   | DIODE 31DF2-FA                            |        |
| D905    | 8-719-200-89   | DIODE 31DF2-FA                            |        |
| D911    | 8-719-200-82   | DIODE 11ES2                               |        |
| D914    | 8-719-913-62   | DIODE HZ36-2L                             |        |

| Ref.No. | Part No.        | Description                    | Remark |
|---------|-----------------|--------------------------------|--------|
| D915    | 8-719-933-48    | DIODE HZS783L                  |        |
| D922    | 8-719-912-20    | DIODE 1SS120                   |        |
| D923    | 8-719-912-20    | DIODE 1SS120                   |        |
|         |                 | < COIL >                       |        |
| L914    | 1-410-521-11    | INDUCTOR 100uH                 |        |
|         |                 | < TRANSISTOR >                 |        |
| Q911    | 8-729-140-96    | TRANSISTOR 2SD774-34           |        |
|         |                 | < RESISTOR >                   |        |
| R901    | △. 1-212-871-11 | FUSIBLE 39 5%                  | 1/4W F |
| R902    | △. 1-212-877-11 | FUSIBLE 68 5%                  | 1/4W F |
| R911    | 1-249-425-11    | CARBON 4.7K 5%                 | 1/4W   |
| R912    | 1-249-429-11    | CARBON 10K 5%                  | 1/4W   |
| R913    | 1-249-433-11    | CARBON 22K 5%                  | 1/4W   |
|         |                 | < THERMISTOR >                 |        |
| TH901   | 1-808-065-11    | THERMISTOR, POSITIVE           |        |
| TH902   | 1-808-065-11    | THERMISTOR, POSITIVE           |        |
| TH903   | 1-806-882-11    | THERMISTOR (POSITIVE)          |        |
| TH904   | 1-808-065-11    | THERMISTOR, POSITIVE           |        |
| TH905   | 1-808-065-11    | THERMISTOR, POSITIVE           |        |
| *****   |                 |                                |        |
|         | * A-4617-601-A  | SERVO BOARD, COMPLETE<br>***** |        |
|         | 7-682-147-15    | SCREW, TR                      |        |
|         | * 4-363-146-00  | HEAT SINK, V. OUT              |        |
|         | * 4-922-525-01  | HEAT SINK                      |        |
|         |                 | < CAPACITOR >                  |        |
| C101    | 1-130-480-00    | MYLAR 0.0056uF 5%              | 50V    |
| C102    | 1-136-159-00    | FILM 0.033uF 5%                | 50V    |
| C103    | 1-136-165-00    | FILM 0.1uF 5%                  | 50V    |
| C104    | 1-136-165-00    | FILM 0.1uF 5%                  | 50V    |
| C105    | 1-161-375-00    | CERAMIC 0.0022uF 20%           | 50V    |
| C106    | 1-106-351-00    | MYLAR 2200PF 5%                | 200V   |
| C107    | 1-136-153-00    | FILM 0.01uF 5%                 | 50V    |
| C108    | 1-136-153-00    | FILM 0.01uF 5%                 | 50V    |
| C109    | 1-136-165-00    | FILM 0.1uF 5%                  | 50V    |
| C110    | 1-136-161-00    | FILM 0.047uF 5%                | 50V    |
| C111    | 1-126-059-11    | ELECT 10uF 20%                 | 50V    |
| C112    | 1-136-165-00    | FILM 0.1uF 5%                  | 50V    |
| C113    | 1-126-162-11    | ELECT 3.3uF 20%                | 50V    |
| C114    | 1-126-049-11    | ELECT 22uF 20%                 | 25V    |
| C115    | 1-136-153-00    | FILM 0.01uF 5%                 | 50V    |

**Note:**  
The components identified by mark △ or dotted line with mark △ are critical for safety. Replace only with part number specified.

**Note:**  
Les composants identifiés par une marque △ sont critiques pour la sécurité. Ne les remplacer que par une pièce portant le numéro spécifié.

## SERVO

| Ref. No. | Part No.     | Description | Remark          | Ref. No.       | Part No.       | Description                    | Remark |
|----------|--------------|-------------|-----------------|----------------|----------------|--------------------------------|--------|
| C116     | 1-136-159-00 | FILM        | 0.033uF 5% 50V  | C919           | 1-126-012-11   | ELECT 470uF 20% 16V            |        |
| C118     | 1-124-442-00 | ELECT       | 330uF 20% 6.3V  | C920           | 1-126-012-11   | ELECT 470uF 20% 16V            |        |
| C119     | 1-124-442-00 | ELECT       | 330uF 20% 6.3V  | C921           | 1-124-556-11   | ELECT 2200uF 20% 16V           |        |
| C121     | 1-136-153-00 | FILM        | 0.01uF 5% 50V   | C922           | 1-126-012-11   | ELECT 470uF 20% 16V            |        |
| C122     | 1-126-300-11 | ELECT       | 0.47uF 20% 50V  | C923           | 1-126-161-11   | ELECT 2.2uF 20% 50V            |        |
| C123     | 1-130-472-00 | MYLAR       | 0.0012uF 5% 50V | C924           | 1-126-161-11   | ELECT 2.2uF 20% 50V            |        |
| C124     | 1-106-359-00 | MYLAR       | 4700PF 5% 200V  | C925           | 1-136-165-00   | FILM 0.1uF 5% 50V              |        |
| C125     | 1-164-159-11 | CERAMIC     | 0.1uF 50V       | C927           | 1-126-012-11   | ELECT 470uF 20% 16V            |        |
| C127     | 1-164-159-11 | CERAMIC     | 0.1uF 50V       | C929           | 1-124-122-11   | ELECT 100uF 20% 50V            |        |
| C129     | 1-136-161-00 | FILM        | 0.047uF 5% 50V  | C990           | 1-125-622-11   | CAP, DOUBLE LAYERS 0.10F       |        |
| C130     | 1-136-155-00 | FILM        | 0.015uF 5% 50V  | < CONNECTOR >  |                |                                |        |
| C131     | 1-164-159-11 | CERAMIC     | 0.1uF 50V       | CN101          | * 1-506-503-11 | PIN, CONNECTOR 9P              |        |
| C132     | 1-130-477-00 | MYLAR       | 0.0033uF 5% 50V | CN102          | * 1-564-338-00 | PIN, CONNECTOR 4P              |        |
| C133     | 1-164-159-11 | CERAMIC     | 0.1uF 50V       | CN103          | * 1-564-340-00 | PIN, CONNECTOR 6P              |        |
| C134     | 1-162-294-31 | CERAMIC     | 0.001uF 10% 50V | CN104          | * 1-564-339-00 | PIN, CONNECTOR 5P              |        |
| C135     | 1-162-294-31 | CERAMIC     | 0.001uF 10% 50V | CN201          | * 1-564-705-11 | PIN, CONNECTOR (SMALL TYPE) 3P |        |
| C136     | 1-164-159-11 | CERAMIC     | 0.1uF 50V       | CN202          | * 1-564-710-11 | PIN, CONNECTOR (SMALL TYPE) 8P |        |
| C137     | 1-124-478-11 | ELECT       | 100uF 20% 25V   | CN301          | * 1-564-342-11 | PIN, CONNECTOR 8P              |        |
| C138     | 1-124-478-11 | ELECT       | 100uF 20% 25V   | CN302          | * 1-564-340-00 | PIN, CONNECTOR 6P              |        |
| C139     | 1-124-478-11 | ELECT       | 100uF 20% 25V   | CN303          | * 1-564-708-11 | PIN, CONNECTOR (SMALL TYPE) 6P |        |
| C140     | 1-124-478-11 | ELECT       | 100uF 20% 25V   | CN906          | * 1-564-507-11 | PLUG, CONNECTOR 4P             |        |
| C141     | 1-124-442-00 | ELECT       | 330uF 20% 6.3V  | CN907          | * 1-564-341-11 | PIN, CONNECTOR 7P              |        |
| C142     | 1-124-442-00 | ELECT       | 330uF 20% 6.3V  | CN908          | * 1-564-506-11 | PLUG, CONNECTOR 3P             |        |
| C143     | 1-164-159-11 | CERAMIC     | 0.1uF 50V       | < DIODE >      |                |                                |        |
| C144     | 1-164-159-11 | CERAMIC     | 0.1uF 50V       | D906           | 8-719-107-94   | DIODE 1SS202-1                 |        |
| C145     | 1-124-478-11 | ELECT       | 100uF 20% 25V   | D907           | 8-719-107-94   | DIODE 1SS202-1                 |        |
| C146     | 1-124-478-11 | ELECT       | 100uF 20% 25V   | < IC >         |                |                                |        |
| C150     | 1-164-159-11 | CERAMIC     | 0.1uF 50V       | IC101          | 8-752-050-82   | IC CXA1372Q                    |        |
| C153     | 1-164-159-11 | CERAMIC     | 0.1uF 50V       | IC102          | 8-759-823-11   | IC LA6523                      |        |
| C154     | 1-124-442-00 | ELECT       | 330uF 20% 6.3V  | IC103          | 8-759-823-11   | IC LA6523                      |        |
| C155     | 1-161-494-00 | CERAMIC     | 0.022uF 25V     | IC104          | 8-759-823-11   | IC LA6523                      |        |
| C156     | 1-161-494-00 | CERAMIC     | 0.022uF 25V     | IC201          | 8-752-337-26   | IC CXD2500AQ                   |        |
| C157     | 1-164-159-11 | CERAMIC     | 0.1uF 50V       | IC301          | 8-759-635-51   | IC M37450M8-376FP              |        |
| C170     | 1-161-494-00 | CERAMIC     | 0.022uF 25V     | IC302          | 8-759-822-78   | IC LC3564PML-1015              |        |
| C171     | 1-161-494-00 | CERAMIC     | 0.022uF 25V     | IC303          | 8-759-962-08   | IC BA6208                      |        |
| C173     | 1-161-494-00 | CERAMIC     | 0.022uF 25V     | IC901          | 8-759-604-29   | IC M5F7805L                    |        |
| C174     | 1-161-494-00 | CERAMIC     | 0.022uF 25V     | IC902          | 8-759-604-47   | IC M5F7905L                    |        |
| C201     | 1-106-347-00 | MYLAR       | 1500PF 5% 200V  | IC903          | 8-759-917-18   | IC TC74HCU04AP                 |        |
| C202     | 1-136-161-00 | FILM        | 0.047uF 5% 50V  | < TRANSISTOR > |                |                                |        |
| C203     | 1-136-155-00 | FILM        | 0.015uF 5% 50V  | Q101           | 8-729-900-89   | TRANSISTOR DTC144ES            |        |
| C205     | 1-124-442-00 | ELECT       | 330uF 20% 6.3V  | Q301           | 8-729-900-80   | TRANSISTOR DTC114ES            |        |
| C206     | 1-164-159-11 | CERAMIC     | 0.1uF 50V       |                |                |                                |        |
| C301     | 1-124-442-00 | ELECT       | 330uF 20% 6.3V  |                |                |                                |        |
| C302     | 1-164-159-11 | CERAMIC     | 0.1uF 50V       |                |                |                                |        |
| C303     | 1-136-165-00 | FILM        | 0.1uF 5% 50V    |                |                |                                |        |
| C304     | 1-164-159-11 | CERAMIC     | 0.1uF 50V       |                |                |                                |        |
| C305     | 1-124-768-11 | ELECT       | 4.7uF 20% 50V   |                |                |                                |        |
| C310     | 1-164-159-11 | CERAMIC     | 0.1uF 50V       |                |                |                                |        |
| C331     | 1-164-159-11 | CERAMIC     | 0.1uF 50V       |                |                |                                |        |

**SERVO**

| Ref. No.     | Part No.       | Description     | Remark    |
|--------------|----------------|-----------------|-----------|
| < RESISTOR > |                |                 |           |
| R101         | 1-249-429-11   | CARBON 10K 5%   | 1/4W      |
| R102         | 1-247-887-00   | CARBON 220K 5%  | 1/4W      |
| R103         | 1-249-429-11   | CARBON 10K 5%   | 1/4W      |
| R104         | 1-247-882-11   | CARBON 130K 5%  | 1/4W      |
| R105         | 1-249-440-11   | CARBON 82K 5%   | 1/4W      |
| R106         | 1-249-440-11   | CARBON 82K 5%   | 1/4W      |
| R107         | 1-249-431-11   | CARBON 15K 5%   | 1/4W      |
| R108         | 1-249-429-11   | CARBON 10K 5%   | 1/4W      |
| R109         | 1-247-896-11   | CARBON 510K 5%  | 1/4W      |
| R110         | 1-247-886-11   | CARBON 200K 5%  | 1/4W      |
| R112         | 1-249-429-11   | CARBON 10K 5%   | 1/4W      |
| R113         | 1-249-441-11   | CARBON 100K 5%  | 1/4W      |
| R114         | 1-247-854-11   | CARBON 9. 1K 5% | 1/4W      |
| R115         | 1-247-854-11   | CARBON 9. 1K 5% | 1/4W      |
| R116         | 1-249-393-11   | CARBON 10 5%    | 1/4W      |
| R118         | 1-249-393-11   | CARBON 10 5%    | 1/4W      |
| R120         | 1-247-899-11   | CARBON 680K 5%  | 1/4W      |
| R121         | 1-249-441-11   | CARBON 100K 5%  | 1/4W      |
| R123         | 1-247-883-00   | CARBON 150K 5%  | 1/4W      |
| R124         | 1-249-438-11   | CARBON 56K 5%   | 1/4W      |
| R125         | 1-247-876-11   | CARBON 75K 5%   | 1/4W      |
| R126         | 1-249-433-11   | CARBON 22K 5%   | 1/4W      |
| R127         | 1-249-393-11   | CARBON 10 5%    | 1/4W      |
| R128         | 1-249-441-11   | CARBON 100K 5%  | 1/4W      |
| R129         | 1-249-441-11   | CARBON 100K 5%  | 1/4W      |
| R130         | 1-249-441-11   | CARBON 100K 5%  | 1/4W      |
| R131         | 1-249-441-11   | CARBON 100K 5%  | 1/4W      |
| R132         | 1-249-393-11   | CARBON 10 5%    | 1/4W      |
| R140         | 1-249-429-11   | CARBON 10K 5%   | 1/4W      |
| R141         | 1-249-429-11   | CARBON 10K 5%   | 1/4W      |
| R142         | 1-249-429-11   | CARBON 10K 5%   | 1/4W      |
| R143         | 1-249-393-11   | CARBON 10 5%    | 1/4W      |
| R144         | 1-249-429-11   | CARBON 10K 5%   | 1/4W      |
| R145         | 1-249-429-11   | CARBON 10K 5%   | 1/4W      |
| R146         | 1-249-429-11   | CARBON 10K 5%   | 1/4W      |
| R147         | 1-249-393-11   | CARBON 10 5%    | 1/4W      |
| R148         | 1-249-429-11   | CARBON 10K 5%   | 1/4W      |
| R149         | 1-249-393-11   | CARBON 10 5%    | 1/4W      |
| R150         | 1-249-417-11   | CARBON 1K 5%    | 1/4W      |
| R152         | 1-249-393-11   | CARBON 10 5%    | 1/4W      |
| R153         | 1-249-430-11   | CARBON 12K 5%   | 1/4W      |
| R154         | 1-249-429-11   | CARBON 10K 5%   | 1/4W      |
| R155         | 1-249-429-11   | CARBON 10K 5%   | 1/4W      |
| R156         | 1-249-393-11   | CARBON 10 5%    | 1/4W      |
| R170         | ▲ 1-212-954-11 | FUSIBLE 6. 8    | 5% 1/2W F |
| R201         | 1-249-423-11   | CARBON 3. 3K 5% | 1/4W      |
| R202         | 1-249-423-11   | CARBON 3. 3K 5% | 1/4W      |

| Ref. No. | Part No.     | Description     | Remark |
|----------|--------------|-----------------|--------|
| R203     | 1-249-429-11 | CARBON 10K 5%   | 1/4W   |
| R204     | 1-249-429-11 | CARBON 10K 5%   | 1/4W   |
| R205     | 1-249-429-11 | CARBON 10K 5%   | 1/4W   |
| R206     | 1-249-435-11 | CARBON 33K 5%   | 1/4W   |
| R209     | 1-249-413-11 | CARBON 470 5%   | 1/4W   |
| R210     | 1-249-413-11 | CARBON 470 5%   | 1/4W   |
| R211     | 1-249-413-11 | CARBON 470 5%   | 1/4W   |
| R230     | 1-249-417-11 | CARBON 1K 5%    | 1/4W   |
| R231     | 1-249-413-11 | CARBON 470 5%   | 1/4W   |
| R301     | 1-247-903-00 | CARBON 1M 5%    | 1/4W   |
| R302     | 1-249-411-11 | CARBON 330 5%   | 1/4W   |
| R303     | 1-249-429-11 | CARBON 10K 5%   | 1/4W   |
| R304     | 1-249-429-11 | CARBON 10K 5%   | 1/4W   |
| R305     | 1-249-429-11 | CARBON 10K 5%   | 1/4W   |
| R306     | 1-249-429-11 | CARBON 10K 5%   | 1/4W   |
| R308     | 1-249-429-11 | CARBON 10K 5%   | 1/4W   |
| R309     | 1-249-429-11 | CARBON 10K 5%   | 1/4W   |
| R310     | 1-249-429-11 | CARBON 10K 5%   | 1/4W   |
| R311     | 1-249-429-11 | CARBON 10K 5%   | 1/4W   |
| R312     | 1-249-429-11 | CARBON 10K 5%   | 1/4W   |
| R313     | 1-249-417-11 | CARBON 1K 5%    | 1/4W   |
| R314     | 1-249-429-11 | CARBON 10K 5%   | 1/4W   |
| R315     | 1-249-429-11 | CARBON 10K 5%   | 1/4W   |
| R316     | 1-249-417-11 | CARBON 1K 5%    | 1/4W   |
| R317     | 1-249-429-11 | CARBON 10K 5%   | 1/4W   |
| R318     | 1-249-411-11 | CARBON 330 5%   | 1/4W   |
| R319     | 1-249-429-11 | CARBON 10K 5%   | 1/4W   |
| R320     | 1-249-429-11 | CARBON 10K 5%   | 1/4W   |
| R321     | 1-249-429-11 | CARBON 10K 5%   | 1/4W   |
| R322     | 1-249-429-11 | CARBON 10K 5%   | 1/4W   |
| R324     | 1-249-429-11 | CARBON 10K 5%   | 1/4W   |
| R903     | 1-249-426-11 | CARBON 5. 6K 5% | 1/4W   |
| R905     | 1-247-887-00 | CARBON 220K 5%  | 1/4W   |
| R906     | 1-249-437-11 | CARBON 47K 5%   | 1/4W   |
| R907     | 1-247-891-00 | CARBON 330K 5%  | 1/4W   |

< VARIABLE RESISTOR >

|       |              |                     |
|-------|--------------|---------------------|
| RV201 | 1-228-994-00 | RES. ADJ. METAL 10K |
| RV202 | 1-228-994-00 | RES. ADJ. METAL 10K |

< CERAMIC >

|      |              |                           |
|------|--------------|---------------------------|
| X301 | 1-577-377-11 | VIBRATOR, CERAMIC (10MHz) |
|------|--------------|---------------------------|

**Note:**  
The components identified by mark ▲ or dotted line with mark ▲ are critical for safety. Replace only with part number specified.

**Note:**  
Les composants identifiés par une marque ▲ sont critiques pour la sécurité. Ne les remplacer que par une pièce portant le numéro spécifié.

**SWITCH**      **TRANSLATION**

| Ref. No. | Part No.        | Description                                    | Remark |
|----------|-----------------|--|--------|
|          | * 1-632-974-11  | SWITCH BOARD                                   |        |
|          |                 | < RESISTOR >                                   |        |
| R001     | △. 1-215-880-00 | METAL OXIDE 10 5% 2W F                         |        |
| R002     | △. 1-215-880-00 | METAL OXIDE 10 5% 2W F                         |        |
|          |                 | < SWITCH >                                     |        |
| S001     | 1-571-736-11    | SWITCH, LEAF (IN)                              |        |
| S002     | 1-571-736-11    | SWITCH, LEAF (OUT)                             |        |
| *****    |                 |  |        |
|          | * 1-632-973-11  | TRANSLATION BOARD                              |        |
|          |                 | < CAPACITOR >                                  |        |
| C051     | 1-136-157-00    | FILM 0.022uF 5% 50V                            |        |
| C052     | 1-164-159-11    | CERAMIC 0.1uF 50V                              |        |
| C053     | 1-164-159-11    | CERAMIC 0.1uF 50V                              |        |
|          |                 | < CONNECTOR >                                  |        |
| CN051    | 1-568-799-11    | SOCKET, CONNECTOR 16P                          |        |
| *****    |                 |  |        |
|          |                 | MISCELLANEOUS                                  |        |
|          |                 | < RESISTOR >                                   |        |
| 121      | △. 1-555-795-00 | CORD, POWER (AEP)                              |        |
| 125      | △. 1-557-577-11 | CORD, POWER (US, Canadian)                     |        |
| 126      | △. 1-556-035-00 | CORD, POWER (UK)                               |        |
| 127      | △. 1-555-386-00 | CORD, POWER (E)                                |        |
| 128      | △. 1-575-379-11 | CORD, POWER (AUS)                              |        |
| 210      | △. 8-848-209-11 | DEVICE, OPTICAL KSS-271A                       |        |
| D701     | 8-719-970-07    | DIODE MBG3371X-TP-J47K                         |        |
| D702     | 8-719-971-52    | DIODE MAY3371X-TP-J47K                         |        |
| F991     | △. 1-532-066-00 | FUSE, TIME-LAG (0.4A) (AEP, UK, AUS)           |        |
| F991     | △. 1-532-215-00 | FUSE, TIME LAG (0.8A) (E)                      |        |
| F991     | △. 1-523-742-11 | FUSE, GLASS TUBE (1.6A) (US, Canadian)         |        |
| M001     | A-4604-347-A    | MOTOR (L) ASSY                                 |        |
| M002     | X-4927-605-3    | BASE ASSY, MECHANICAL (SPINDLE MOTOR)          |        |
| S991     | △. 1-570-156-11 | SWITCH, PUSH (AC POWER) (1 KEY)                |        |
| T901     | 1-450-025-21    | TRANSFORMER, POWER (US, Canadian)              |        |
| T901     | 1-450-028-21    | TRANSFORMER, POWER (E)                         |        |
| T901     | △. 1-450-521-11 | TRANSFORMER, POWER (AEP, UK, AUS)              |        |
| T902     | 1-450-024-21    | TRANSFORMER, POWER (US, Canadian)              |        |
| T902     | △. 1-450-522-11 | TRANSFORMER, POWER (AEP, UK, AUS)              |        |
| VS901    | △. 1-526-576-51 | SELECTOR, POWER VOLTAGE (VOLTAGE SELECTOR) (E) |        |

| Ref. No. | Part No.       | Description  | Remark |
|----------|----------------|--|--------|
|          |                | ACCESSORY & PACKING MATERIAL   |        |
|          |                | *****  |        |
|          | 1-465-592-11   | COMMANDER, REMOTE (RM-D891) (GOLD) (Including * 1)                         |        |
|          | 1-465-593-11   | COMMANDER, REMOTE (RM-D991) (BLACK) (Including * 1)                        |        |
|          | 1-558-271-11   | CORD, CONNECTION   |        |
| △.       | 1-569-007-11   | ADAPTER, CONVERSION 2P (E)   |        |
|          | 3-707-584-01   | COVER, BATTERY (* 1)   |        |
|          | 3-750-090-01   | INSTRUCTION (Canadian)   |        |
|          | 3-752-483-11   | MANUAL, INSTRUCTION (ENGLISH, FRENCH, SPANISH, PORTUGUESE) (EXCEPT FOR US) |        |
|          | 1-533-183-11   | HOLDER, FUSE   |        |
|          | 3-752-483-21   | MANUAL, INSTRUCTION (ENGLISH) (US, AUS)                                    |        |
|          | 3-752-483-41   | MANUAL, INSTRUCTION (GERMAN, DUTCH, SWEDISH, ITALIAN)                      |        |
|          | 3-795-629-11   | INSTRUCTION (AEP)  |        |
|          | 4-847-802-00   | SCREW (EXCEPT FOR UK) (BLACK)  |        |
|          | 4-847-802-11   | DCREW (GOLD)   |        |
| *        | 4-942-314-01   | CUSHION (UPPER)  |        |
| *        | 4-942-315-01   | CUSHION (LOWER)  |        |
|          |                | < CONNECTOR >  |        |
|          | * 4-945-272-01 | INDIVIDUAL CARTON  |        |

\*\*\*\*\*

HARDWARE LIST

| #   | Part No.     | Description                        |
|-----|--------------|------------------------------------|
| # 1 | 7-621-996-24 | BOLT 2.6X4, HEXAGON SOCKET (BLACK) |
| # 2 | 7-682-548-09 | SCREW (3X8)                        |
| # 3 | 7-685-646-79 | SCREW, TAPPING                     |
| # 4 | 7-685-870-01 | SCREW +BVTT 3X5 (S)                |
| # 5 | 7-682-547-04 | SCREW +BVTT 3X6 (S)                |
| # 6 | 7-682-560-04 | SCREW +BVTT 4X6 (S)                |
| # 7 | 7-682-147-15 | SCREW, TR                          |
| # 8 | 7-682-549-09 | SCREW +BVTT 3X10 (S)               |
| # 9 | 7-682-547-09 | SCREW +B 3X6                       |
| #10 | 7-685-647-79 | SCREW +P 3X10 TYPE2 SLIT           |
| #11 | 7-621-770-67 | SCREW +BVTT 2.6X6 (S)              |
| #12 | 7-624-105-04 | STOP RING 2.3, TYPE -E             |
| #13 | 7-682-544-04 | SCREW +P 3X3                       |
| #14 | 7-621-775-10 | SCREW +BVTT 2.6X4 (S)              |
| #15 | 7-685-134-19 | SCREW +BTP 2.6X8 TYPE2 N-S         |
| #16 | 7-685-132-19 | + PTPWH (2.6X5)                    |
| #17 | 7-682-664-09 | SCREW +PSW 4X14                    |

**Note:**

The components identified by mark △ or dotted line with mark △ are critical for safety. Replace only with part number specified.

**Note:**

Les composants identifiés par une marque △ sont critiques pour la sécurité. Ne les remplacer que par une pièce portant le numéro spécifié.

# CDP-X555ES

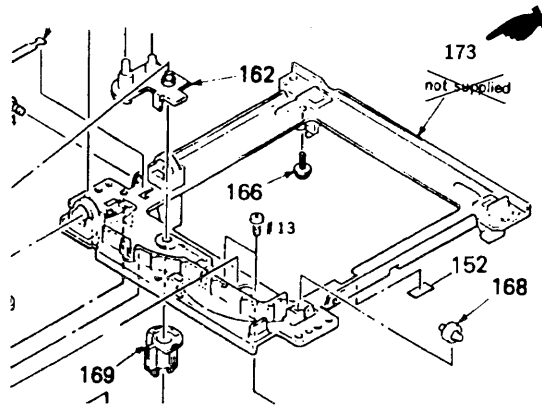
## SONY SERVICE MANUAL

US Model  
Canadian Model  
AEP Model  
UK Model  
E Model  
Australian Model

### CORRECTION-1

Correct your service manual as shown below.

 : indicates corrected portion.

| Page  | INCORRECT  |                 |                    | CORRECT         |                             |
|---|------------|-----------------|--------------------|-----------------|-----------------------------|
|   | <u>No.</u> | <u>Part No.</u> | <u>Description</u> | <u>Part No.</u> | <u>Description</u>          |
| 23  | 173        | _____           | not supplied _____ | 4-927-641-24    | CHASSIS(OUTSERT) MECHANICAL |
| <p>4-4. MECHANISM BLOCK<br/>(CDM11H-6C) : (BLACK)<br/>(CDM11I-6C) : (GOLD)</p>  |            |                 |                    |                 |                             |